

ACME 1000 SERIES PNEUMATIC, FIXED RATIO, THREE-GAS SPECIAL APPLICATION BLENDER (MIXER)

Engineered for on-site blending, the Acme 1000 Series Pneumatic Three-Gas Blender is specifically designed for on-site mixing of specialized red meat packaging mixes containing a fixed ratio of 0.4% CO, 30% CO₂ and 69.6% N₂.

The unit is supplied with three fixed orifices, which deliver the desired blend ratio. The supply gases are typically furnished in cylinders, dewars or small bulk tanks.

It features a pneumatic tank filling system that maintains tank pressure between high and low limits to provide consistent, accurate and repeatable blending.

A low inlet pressure alarm system consisting of three explosion-proof pressure switches rated for Class 1, Group C, Div. 2 for each inlet gas and a common remote audio-visual alarm module for wall mounting with a plug in 110 VAC power pack is included. The module requires no field wiring.

The unit is designed for indoor or outdoor applications and its compact size makes it easy to wall mount.



Specifications

Flow Capacity	0-500 SCFH*
Inlet Pressure	90-150 PSIG*
Outlet Pressure	0-50 PSIG*
Accuracy/Repeatability	± 4% / ± 2%
Connections	1/2" OD tube compression fittings
Surge Vessel Size	5 gallons, 304SS, ASME coded, horizontal
Materials of Construction	brass/copper piping and valves
Weight	80 lbs
Dimensions	42"W x 34"H x 11"D

*Process conditions are customizable

Optional Equipment

- NDIR (Non-Dispersive Infra Red) Gas Analyzer for CO with High and Low Outputs for Alarm and Shutdown
- Inlet and Outlet Filters
- Inlet, Outlet and Vent Valves
- Models with flow rates up to 10,000 SCFH

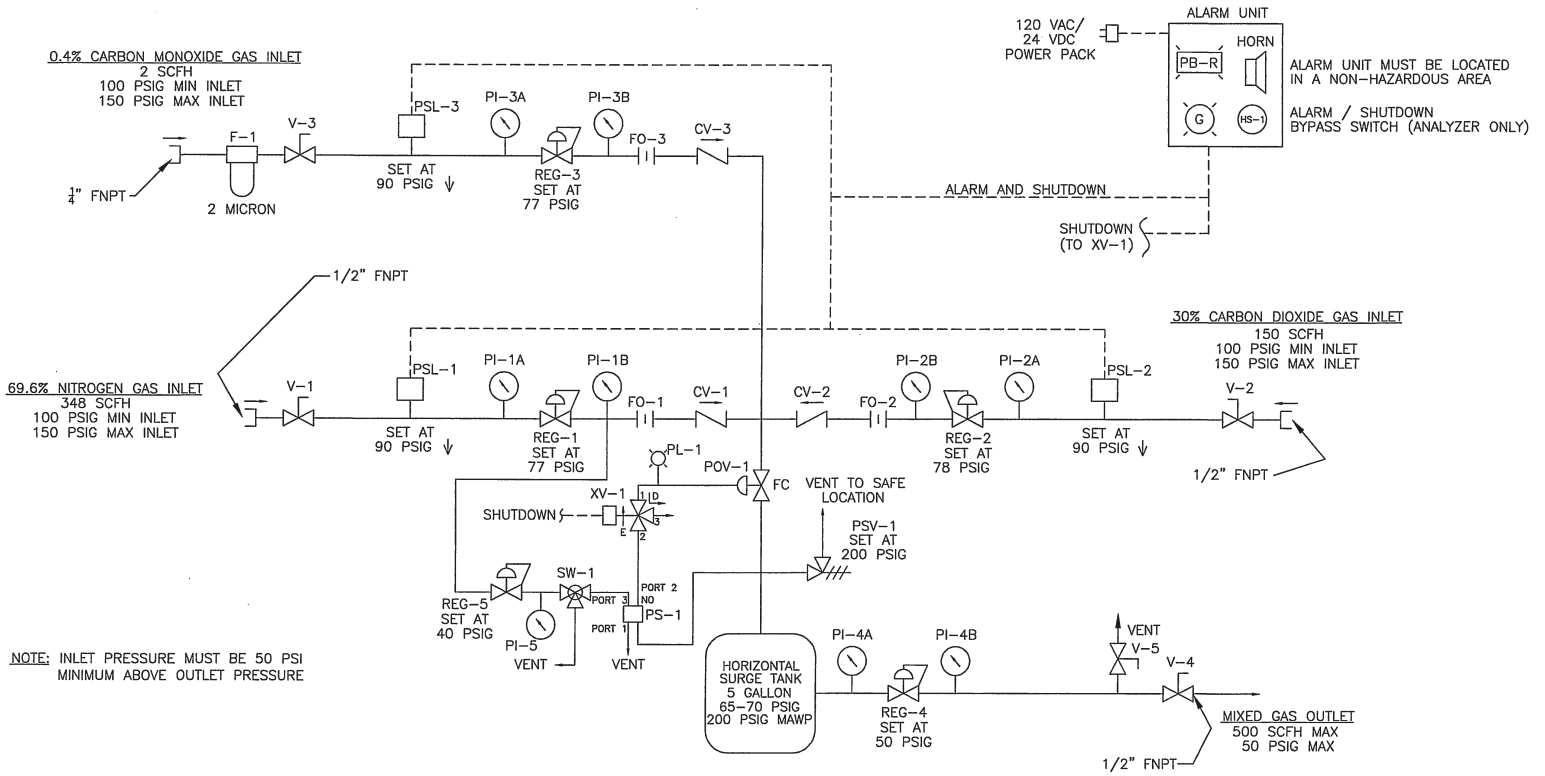


Note:

Proper safety precautions need to be taken with regard to Carbon Monoxide gas, as it is toxic. The precautions may include a gas cabinet with exhaust, loss of exhaust vacuum pressure alarm, gas detector with alarm and shutdown, and any other items necessary to meet local codes, or as determined by the fire marshal.

ACME 1000 SERIES PNEUMATIC, FIXED RATIO, THREE-GAS SPECIAL APPLICATION BLENDER (MIXER)

Unit P&ID



Ordering Information

Model	Capacity	Type	Gas Mix	Materials of Construction	Optional Equipment
261	10 (1000 SCFH)	4 - Pneumatic (3 Gas)	16 - 0.4% CO 30% CO ₂ 69.6% N ₂	0 - Brass / Copper	2 - Inlet Pressure Alarms 3 - Inlet Pressure Shutdown 6 - Inlet, Outlet and Vent Valves 7 - 65 psig Outlet Pressure B - 110 PSIG Outlet Pressure C - NDIR Analyzer

Ordering Example

Part Number 261-10416-0023 =

Acme 1000 Series Gas Blender, 1,000 SCFH, for Pneumatic, three gas applications of 0.4% CO/30% CO₂/69.6% N₂, Brass/Copper construction, and Inlet Pressure Alarms and Shutdowns