

Emergency Oxygen Inlet Box

The Acme Emergency Oxygen Inlet Box is used with bulk outdoor installations to connect a temporary, auxiliary source of supply in the event of an emergency or maintenance situation.

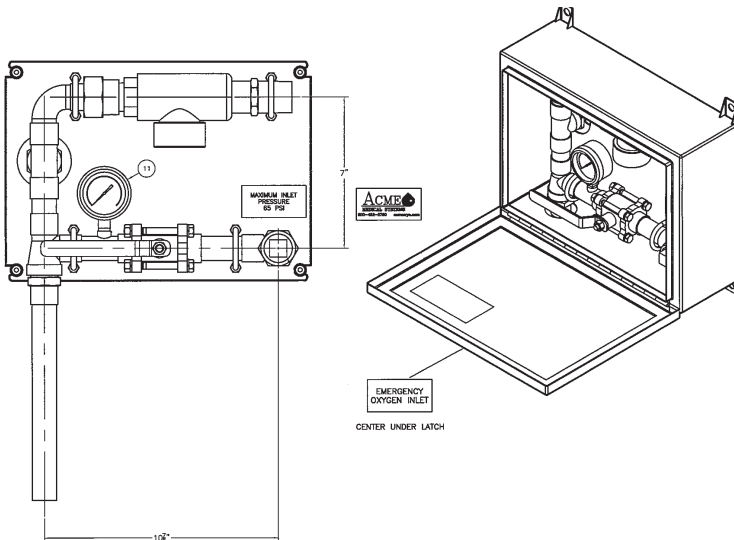
It features a 1" safety relief valve to ensure adequate pipeline protection. It also offers a flexible universal outlet configuration, which allows for reduced installation time.

The inlet is housed in a weather tight surface mount enclosure box which can accommodate a padlock to allow entry only by authorized personnel.



Specifications

Inlet Pressure	75 PSIG
Materials of Construction	
Enclosure	NEMA4
Valve Body	Bronze
Piping	Copper
Connections	1" FNPT
Dimensions	16" W x 12" H x 6" D



Features

- Inlet 1" FNPT connection for high flow
- Lockable weather resistant (NEMA 4) enclosure for exterior mounting
- Gauge for display of supply pressure
- Integrated 1", 75 PSIG ASME Safety Relief Valve
- NFPA 99C Compliant
- Available Surface or Flush Mount
- UL Listed Enclosure
- Cleaned, capped and certified for Oxygen USP Service
- Check Valves with tube ends are also available

Ordering Information

<u>Description</u>	<u>Part Number</u>
Inlet Box, Surface Mount	400-823001
Inlet Box, Flush Mount	400-823098

Required Parts for Complete Installation

1" check valve with factory brazed copper extensions, oxygen cleaned	400-823187
1 1/2" check valve with factory brazed copper extensions, oxygen cleaned	400-823188
2" check valve with factory brazed copper extensions, oxygen cleaned	400-823189
1" replacement relief valve, 75 PSIG, ASME relief valve	279-823139