

SLIQ Automatic Liquid Cylinder Gas Manifold



Acme Model SLIQ Automatic Liquid Cylinder Gas Manifolds provide continuous gas delivery from two banks of cryogenic liquid gas cylinders without interruption. SLIQ manifolds are ideal for low pressure applications where interruptions in gas service cannot be tolerated.

Specifications

Maximum Inlet Pressure350 PSIG

Maximum Outlet Pressure100 PSIG

Flow Capacity

1 Dewar0-325 SCFH

2 Dewars0-400 SCFH

3 Dewars0-600 SCFH

Required Power Supply110VAC

Connections

InletCGA

Outlet1/2" MNPT

Materials of Construction

ComponentsBrass or Stainless Steel

HousingFiberglass

Dimensions15" H x 13" W x 8" D

System Design

The manifold contains a **changeover regulator**, which is supplied by the reserve cylinder bank, while the primary bank feeds directly to the **final line regulator**. The system is designed so that the reserve bank takes over flow once the primary bank's pressure falls below the changeover regulator's setting.

The direction of the **control lever**, along with **green and red LED lights**, indicate which bank is in use.

System Operation

Once cylinders have been installed, the changeover manifold will first accept flow from the predetermined primary bank.

When the primary bank reaches a preset low pressure, the reserve bank automatically takes over. Before replacing the empty cylinder bank, the user simply turns the control lever to reset the system and switch priority.

Optional Equipment

- Acme Model S300 Remote Alarm Box (alarm, lights and cable: see accessories section)
- Floor Stand

Features and Benefits

Changeover FeatureEnsures continuous service

Green and Red LED LightsAllow quick, easy monitoring of gas flow and usage

Selector ValveSaves time - makes it easy to reset system and designate priority

"Gas Saver" CircuitSaves money - prevents accumulated gas pressure from being discharged and wasted

SLIQ Automatic Liquid Cylinder Gas Manifold

Ordering Information

Note: When ordering, please specify if unit will be used for medical service.

Model	Material	Total Number of Cylinders*	Maximum Inlet Pressure	Options	Connections
SLIQ	B = Brass	2	A = 230 PSIG (100 PSIG Min. Inlet Required)	EL = Alarm	XXX
	S = Stainless Steel	4		FS = Floor Stand	
		6	B = 350 PSIG (200 PSIG Min. Inlet Required)	EF = Alarm with Floor Stand	(Replace "XXX" with appropriate CGA number.)
				Blank = No Option	

For total number of cylinders greater than six, please contact factory.

Ordering Examples

SLIQB2-A-580 =

Model SLIQ, brass, for two cylinders, with a maximum inlet pressure of 230 PSIG, equipped for inert service

SLIQB4-B-EL-540 =

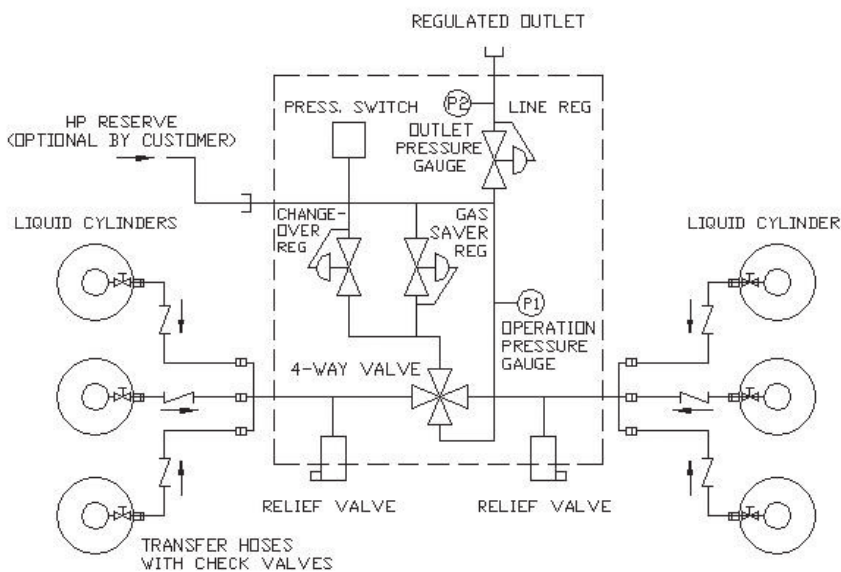
Model SLIQ, brass, for four cylinders, with a maximum inlet pressure of 350 PSIG, and an alarm, equipped for oxygen service

* Total number of cylinders includes primary and reserve.
Example: 4 cylinders = 2 primary, 2 reserve.

Standard changeover systems are configured in multiples of two. Contact factory for details on special configurations.

For total number of cylinders greater than two, please specify if individual cylinder station valves are required in header.

SLIQ LIQUID CYLINDER MANIFOLD FLOW CHART



IMPORTANT: ALL TRANSFER HOSES MUST HAVE CHECK VALVES