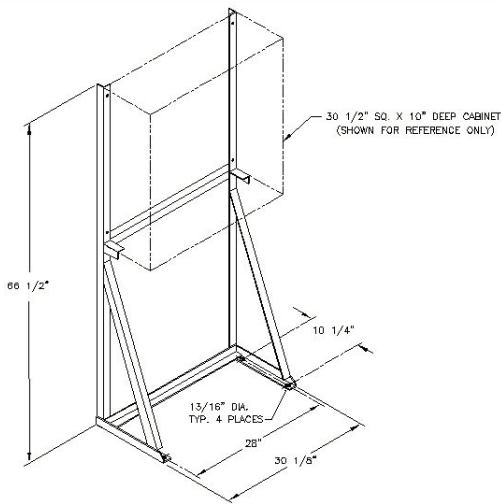
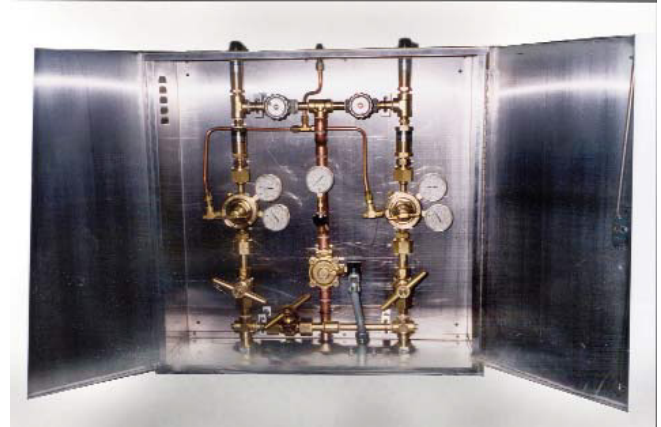


# Pressure Control Stations

Acme Pressure Control Stations are designed to provide accurate, reliable control of high pressure gases while reducing product pressure from a tube trailer or other high pressure source to its process. Dual inlet and pressure controls ensure uninterrupted gas flow.

## Features

- Pressure Switches (available on most models)
- Standard Configurations for Most Applications
- Custom Designs Available



Aluminum Frame Standard Cabinet Mounting Support (274-412130)

## Specifications

**Inlet Pressure** .....0-3,000 PSIG

**Outlet Pressure** .....See Chart

### Materials of Construction

Cabinets .....Painted Steel

Components .....Brass and Bronze

Tube/Pipe .....Copper/Red Brass

### Connections

Inlet .....1 - 1 1/2" (standard)

Outlet .....Type K Copper Tube

**Dimensions** .....Cabinets: 30 1/2" H x 30 1/2" W x 10 1/4" D

## Optional Equipment

Stainless Steel Cabinet .....Consult Factory

Aluminum Frame Cabinet Support .....274-412130

## Ordering Information

### Gas Service

<u>Gas Service</u>	<u>Outlet Pressure (psig)</u>	<u>Cabinet Color</u>	<u>Part Number</u>
Oxygen, Gaseous Oxygen Supply	250	Green	274-2114
Hydrogen, Gaseous Hydrogen Supply	250	Red	274-2115
Hydrogen, Gaseous Hydrogen Supply	600	Red	274-2115S
Hydrogen, Gaseous Hydrogen Supply	1,000	Red	274-2115S-H
Carbon Monoxide, Gaseous Carbon Dioxide Supply	750	Red	274-2115S-CO
Helium, Gaseous Helium Supply	250	Tan	274-2117
Helium, Gaseous Helium Supply	600	Tan	274-2117S
Nitrogen, Gaseous Nitrogen Supply	250	Olive Drab	274-2118
Nitrogen, Gaseous Nitrogen Supply	600	Olive Drab	274-2118S