

8

7

6

5

4

3

2

1

| ZONE | REV LTR | DESCRIPTION | DATE | REV BY |
|------|---------|-------------|------|--------|
| - | - | - | - | - |

D

C

B

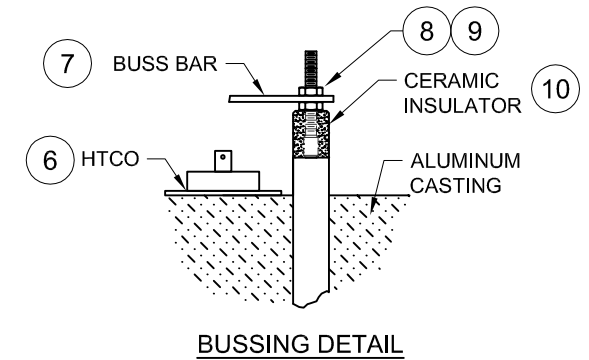
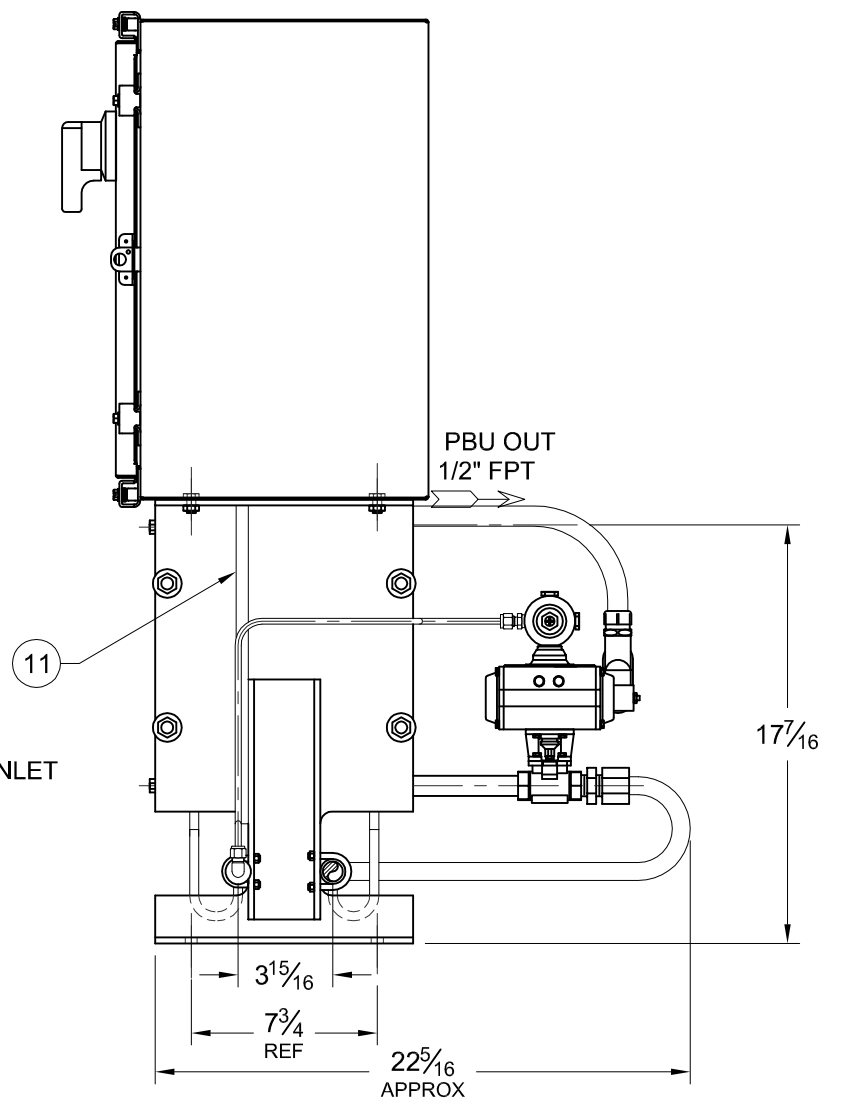
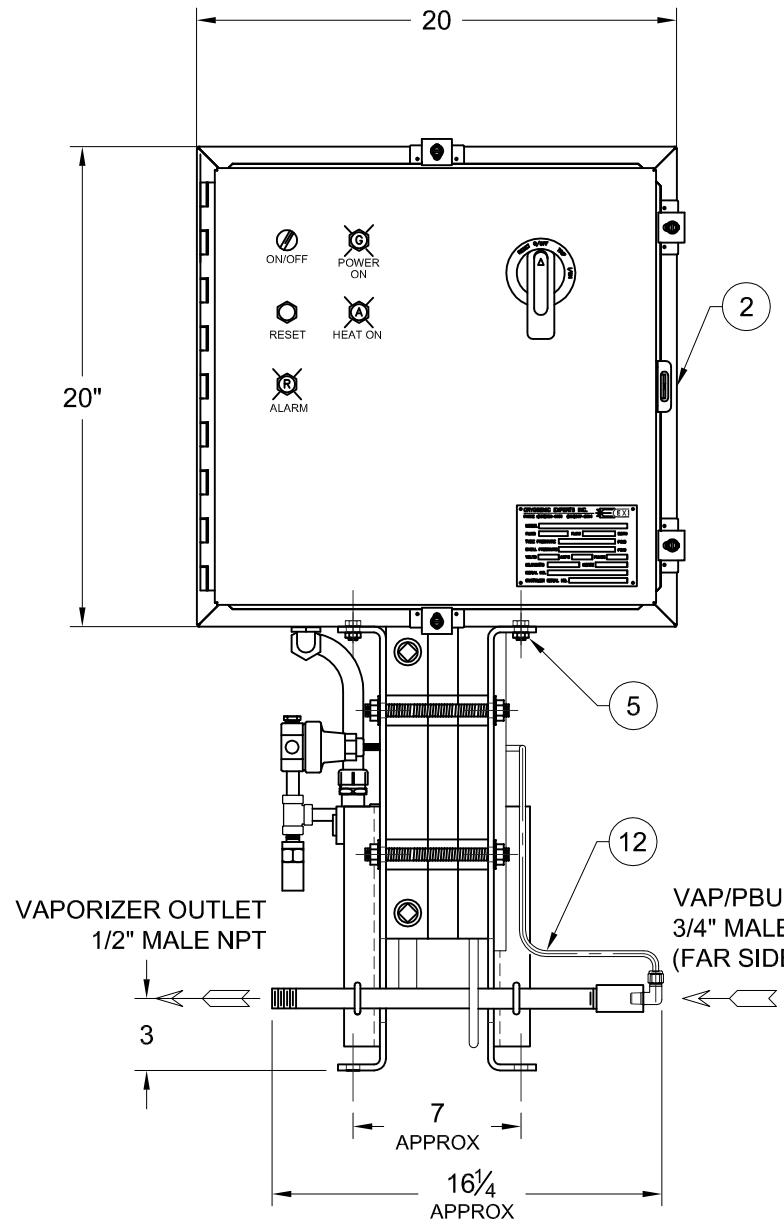
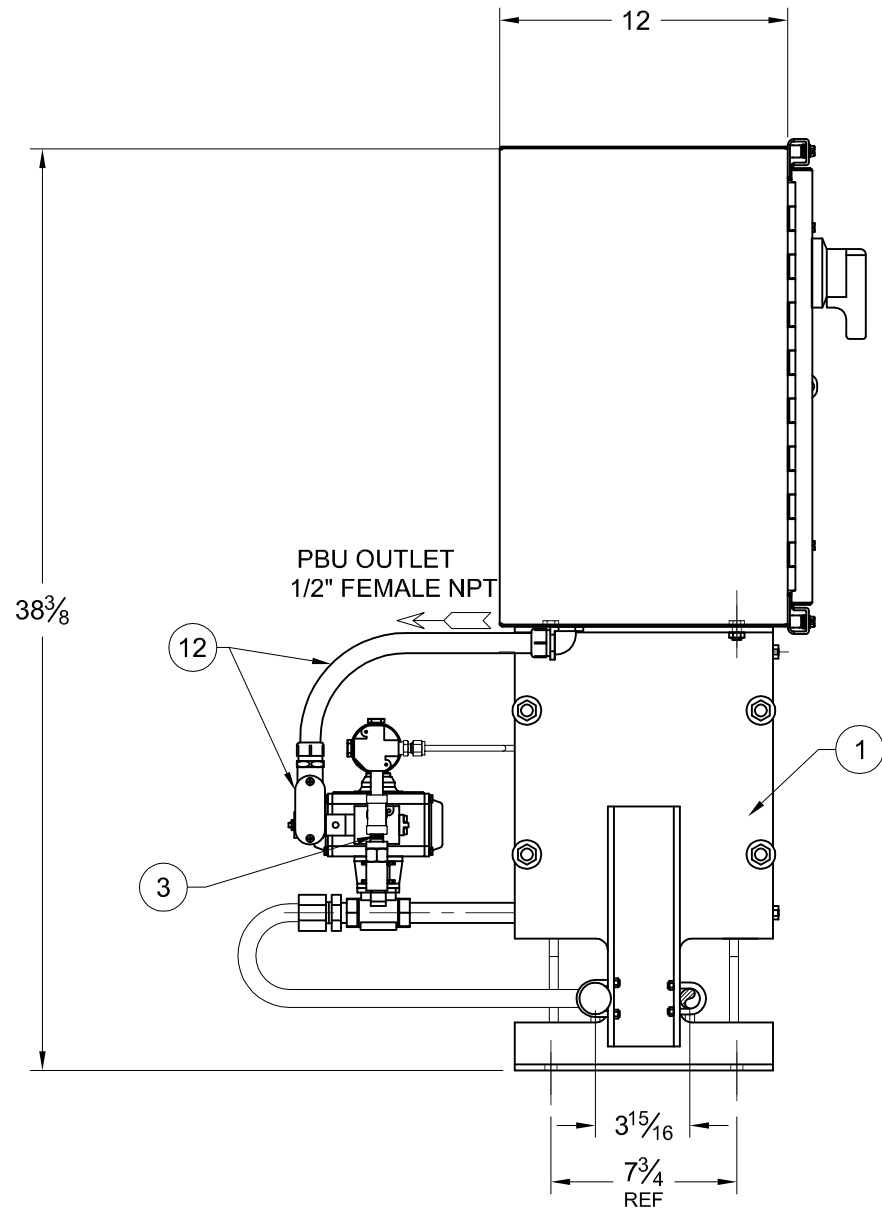
A

D

C

B

A



SEE BILL OF MATERIALS

PROPRIETARY AND CONFIDENTIAL
 THE INFORMATION CONTAINED IN THIS DRAWING IS THE SOLE PROPERTY OF CRYOGENIC EXPERTS, INC. ANY REPRODUCTION IN PART OR AS A WHOLE WITHOUT THE WRITTEN PERMISSION OF CRYOGENIC EXPERTS, INC. IS PROHIBITED.
 © 2017 CEXI, CRYOGENIC EXPERTS
 ALL RIGHTS RESERVED.

| | | | |
|---|--|------------------------|--|
| CRYOGENIC EXPERTS® (805)981-4500 (800)367-2394 WWW.CEXI.COM | | | |
| UNLESS OTHERWISE NOTED: FRACTIONS ±1/4" DECIMALS XX±.1 ANGLES XXX±.01 ±.1" | APPROVALS DRAWN: JZ CHECKED: ISSUED: USED ON | DATE 07-FEB-2019 | TITLE ELECTRIC VAPORIZER / PBU GENERAL ASSEMBLY PART ED-1D0A-15043-000 |
| FILENAME/NO. ED-1D0A-15043-100 | SIM TO - | SIZE B 55429 | DWG. NO. ED-1D0A-15043-000 SCALE 1:8 JOB NUMBER: |
| | | REV. - | SHEET 1 OF 1 |

8

7

6

5

4

3

2

1