

8

7

6

5

4

3

2

1

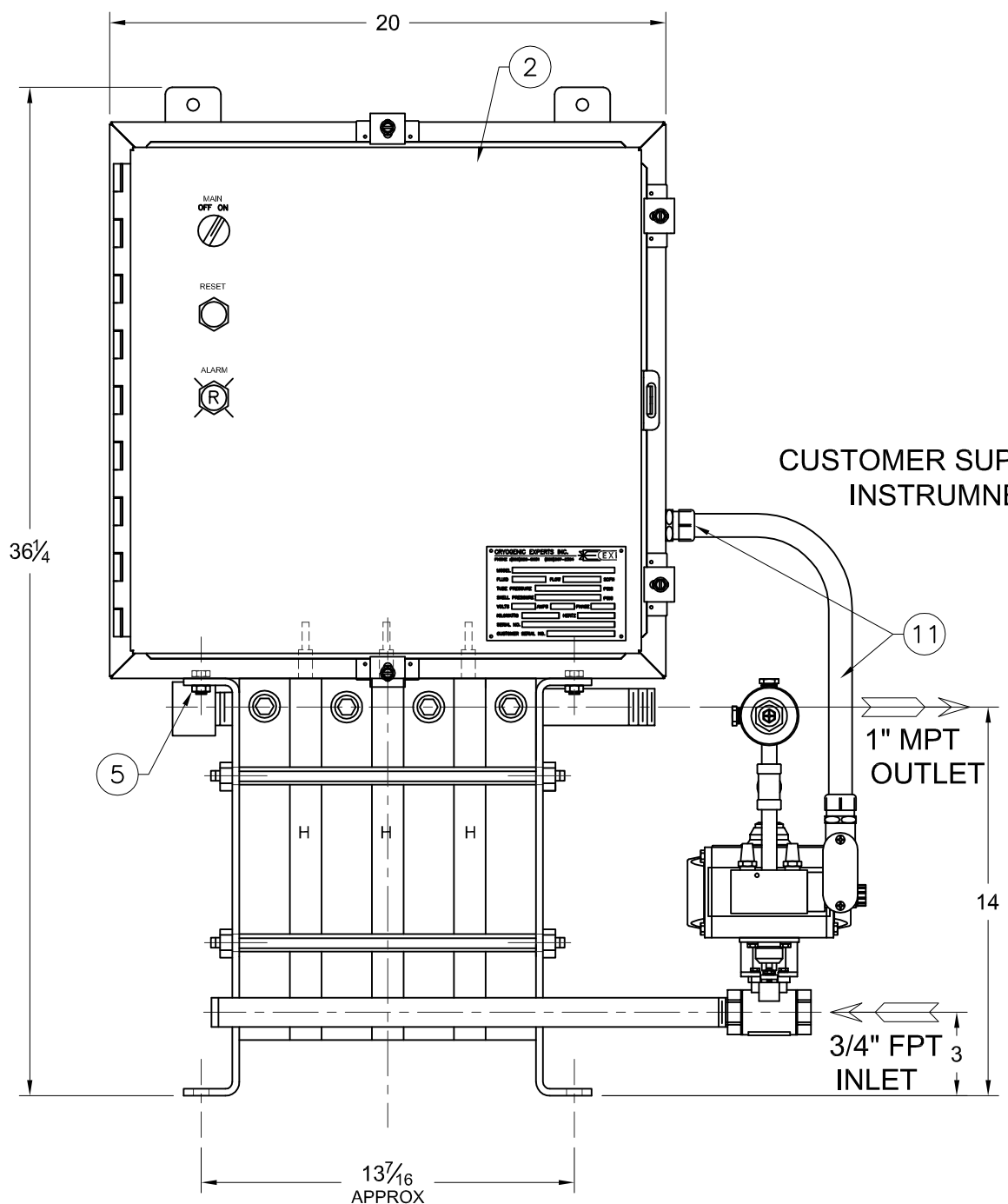
ZONE	REV LTR	DESCRIPTION	DATE	REV BY
-	-	-	00-XXX-0000	-

D

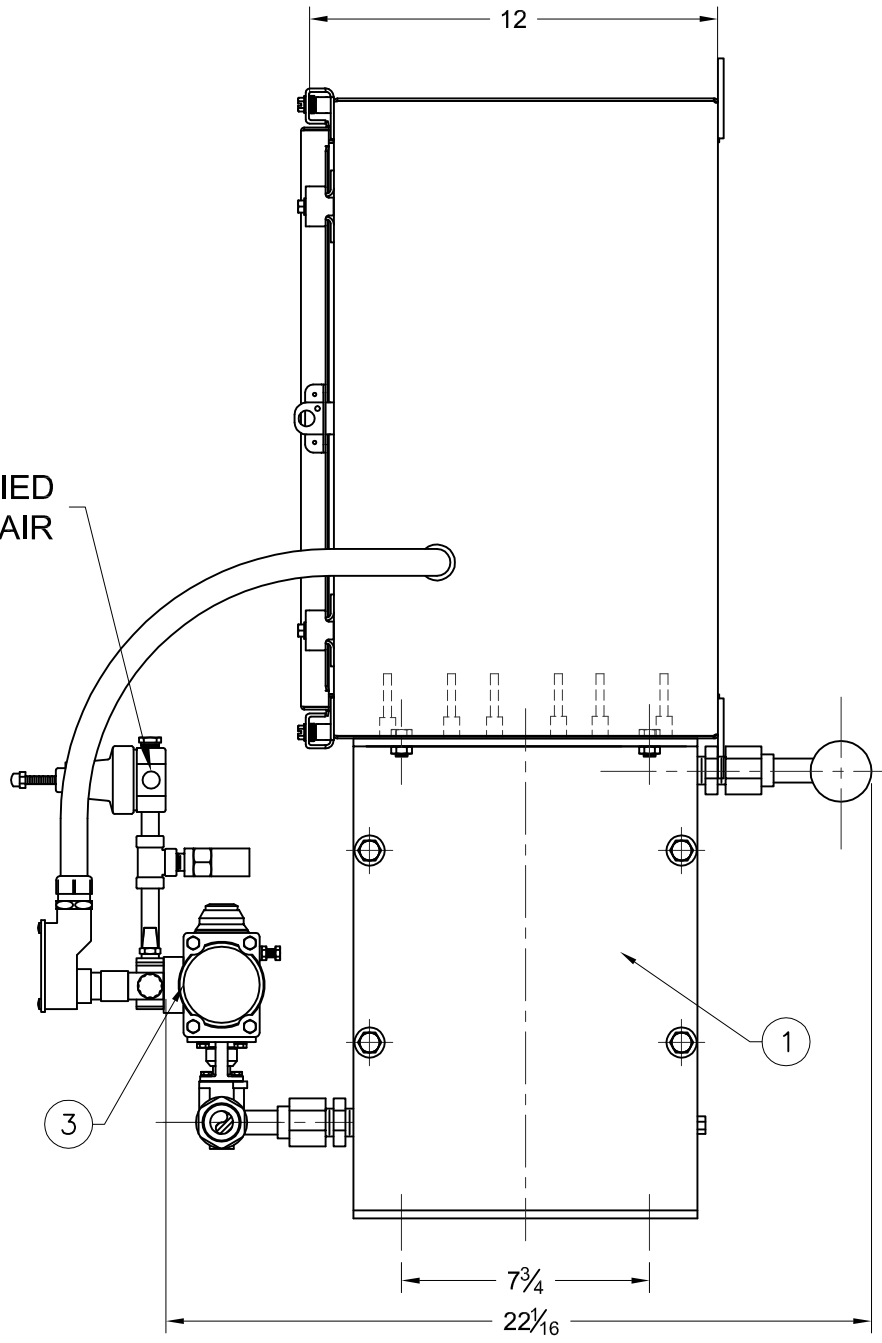
C

B

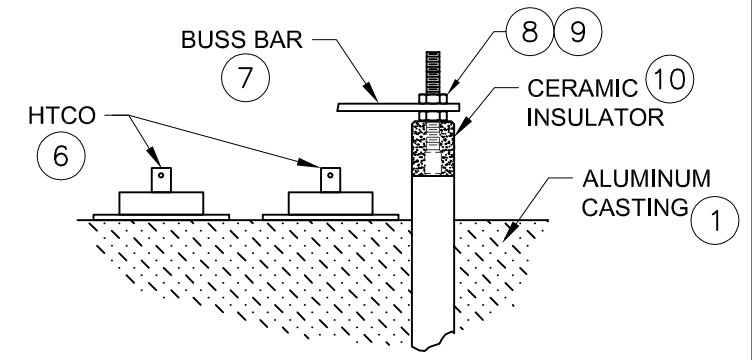
A



FRONT ELEVATION



RIGHT ELEVATION



BUSSING DETAIL

ITEM	DRAWING	BILL OF MATERIALS
1	EP3	EP-3D0A
2	EP-45043-803 ES / PL	EP-45043-803
3	EP-3D0A-5043-803	VA-SOV-.5
5-9	3D0A-45043	EP-3D0A-12043-100
10-11	EP-3D0A-45043-803	

**PROPRIETARY AND CONFIDENTIAL**  
 THE INFORMATION CONTAINED IN THIS DRAWING IS THE SOLE PROPERTY OF CRYOGENIC EXPERTS, INC. ANY REPRODUCTION IN PART OR AS A WHOLE WITHOUT THE WRITTEN PERMISSION OF CRYOGENIC EXPERTS, INC. IS PROHIBITED.  
 © 2017 CEXI, CRYOGENIC EXPERTS  
 ALL RIGHTS RESERVED.

\*\*\*SEE BILL OF MATERIALS\*\*\*

**CRYOGENIC EXPERTS®**  
 (805)981-4500 (800)367-2394 WWW.CEXI.COM

**CEXI®**

UNLESS OTHERWISE NOTED: FRACTIONS ±1/4" DECIMALS XX±.1 ANGLES XXX±.1°	APPROVALS	DATE	TITLE
BREAK ALL SHARP EDGES DIMENSIONS ARE IN INCHES	DRAWN: JZ	01-JUN-2018	ELECTRIC PRESSURE BUILD UNIT GENERAL ASSEMBLY
FILENAME/NO. -	CHECKED:	ISSUED:	PART
	USED ON	SIM TO	EP-3D0A-45043-000
			SIZE FSCM NO. DWG. NO. B 55429 EP-3D0A-45043-000
			SCALE 1:6 JOB NUMBER: - SHEET 1 OF 1

8

7

6

5

4

3

2

1