

8

7

6

5

4

3

2

1

ZONE	REV LTR	DESCRIPTION	DATE	REV BY
-	-	-	00-XXX-0000	-

D

D

C

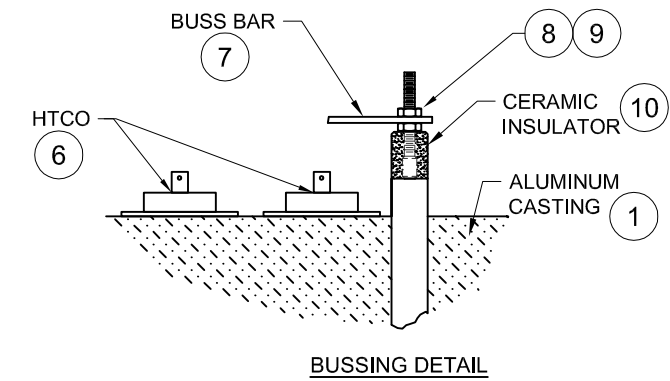
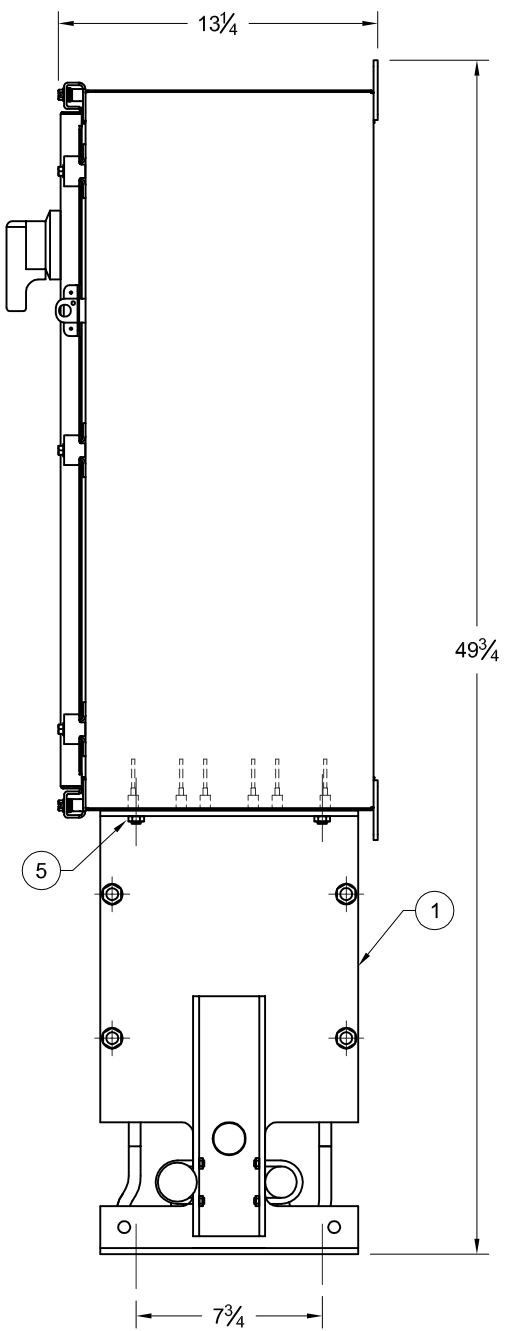
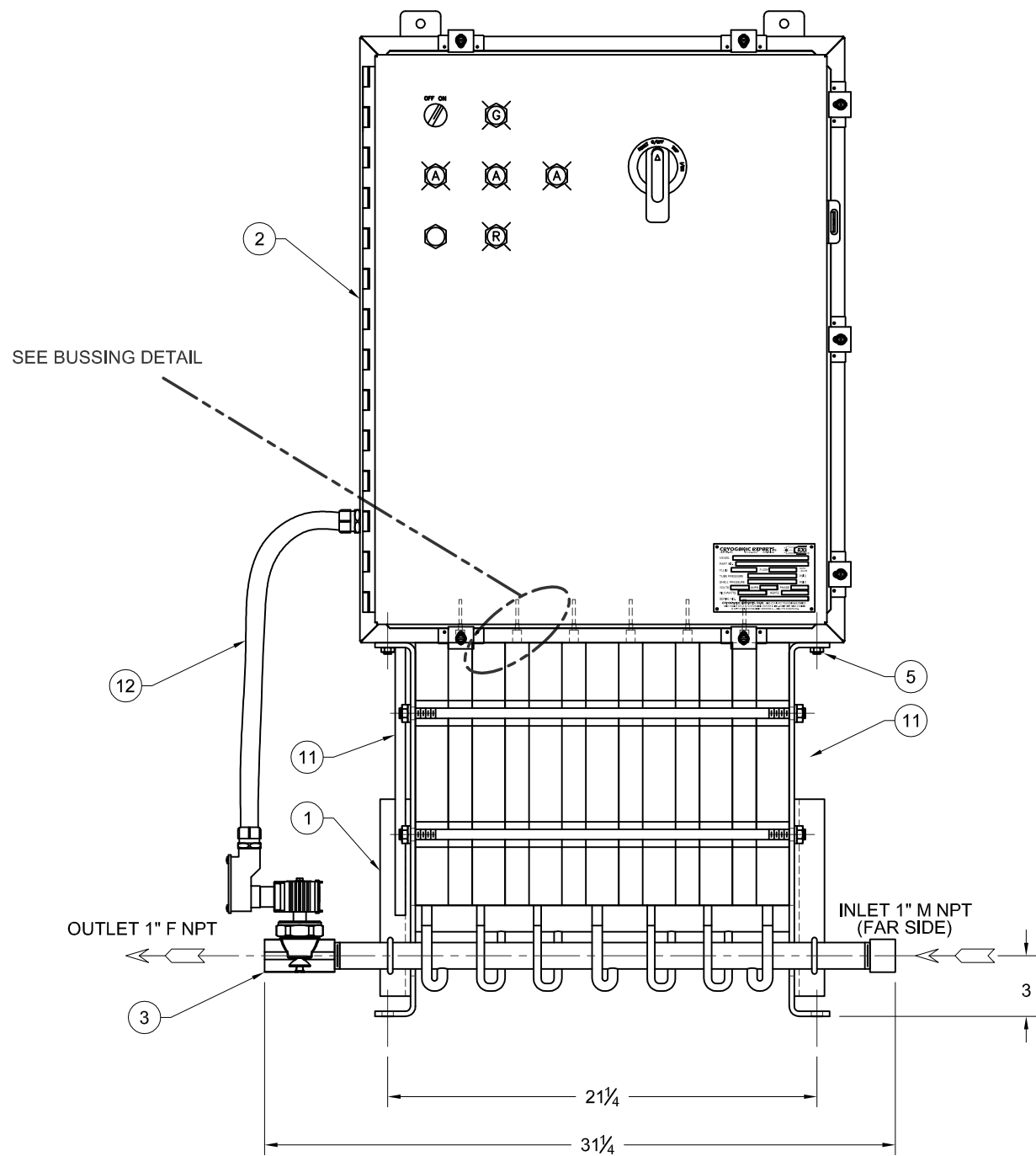
C

B

B

A

A



SEE BILL OF MATERIALS
 ALL WELD SIZES NEED TO CONFORM TO ASME CODE SECTION VIII, UW-16

CRYOGENIC EXPERTS® (805)981-4500 (800)367-2394 WWW.CEXI.COM			
UNLESS OTHERWISE NOTED: FRACTIONS ±1/4" DECIMALS XX±.01 ANGLES XXX±.01		APPROVALS DRAWN: JZ CHECKED: ISSUED: USED ON	DATE 28-SEP-2018 TITLE ELECTRIC VAPORIZER GENERAL ASSEMBLY PART EV-6C0A-90043-100
PROPRIETARY AND CONFIDENTIAL THE INFORMATION CONTAINED IN THIS DRAWING IS THE SOLE PROPERTY OF CRYOGENIC EXPERTS, INC. ANY REPRODUCTION IN PART OR AS A WHOLE WITHOUT THE WRITTEN PERMISSION OF CRYOGENIC EXPERTS, INC. IS PROHIBITED. © 2017 CEXI, CRYOGENIC EXPERTS ALL RIGHTS RESERVED.		BREAK ALL SHARP EDGES DIMENSIONS ARE IN INCHES	SIZE FSCM NO. DWG. NO. B 55429 EV-6C0A-90043-100 SCALE 1:8 JOB NUMBER: SHEET 1 OF 1

8

7

6

5

4

3

2

1