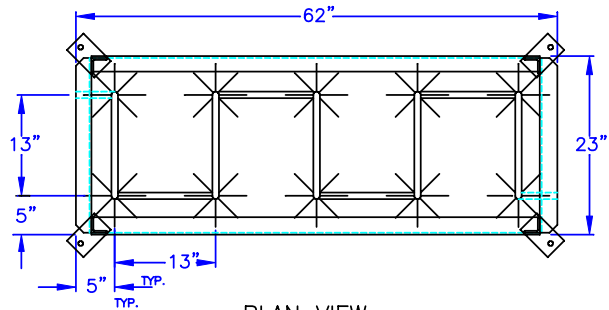
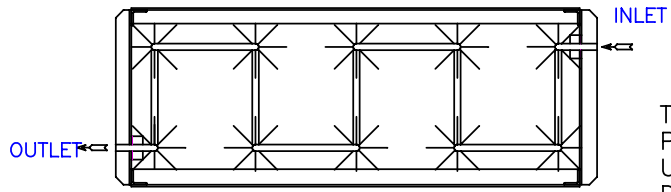


ZONE	REV LTR	DESCRIPTION	E.O.	REVISED BY	DATE	APPR
-	-	ORIGINAL ISSUE		RW	10/6/07	

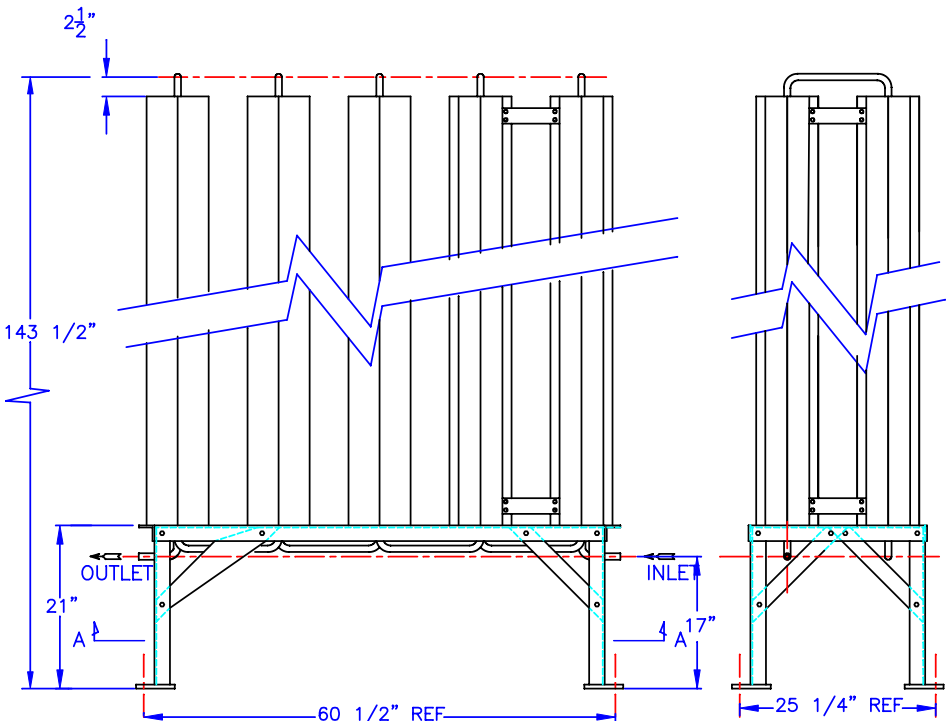


PLAN VIEW



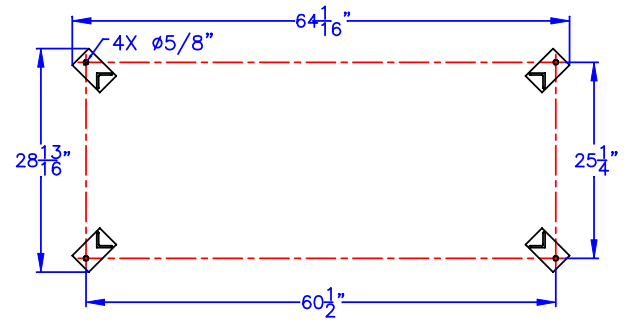
SECTION "A-A"

THIS DRAWING IS PROPRIETARY INFORMATION PROPERTY OF CRYOGENIC EXPERTS, INC. USE THIS FOR INFORMATION ONLY. DIMENSIONS AND CONNECTION LOCATIONS WILL CHANGE DEPENDING ON THE APPLICATION



ELEVATION VIEW

SIDE VIEW



ANCHOR BOLT LAYOUT

		<b>CRYOGENIC EXPERTS</b> 531 Sandy Circle, El Rio, California 93036 Toll Free 1-800-FOR-CEXI OR Phone (805) 981-4500 Fax. (805) 981-4501			
		UNLESS OTHERWISE NOTED: FRACTIONS ±1/8" DECIMALS X±.1 XX±.03 XXX±.01 ANGLES ± ° BREAK ALL SHARP EDGES DIMENSIONS ARE IN INCHES ORG JOB No. - FILE -	APPROVALS DESIGN: KMK CHECKED: MANUF: RELEASED:	DATE 10/6/07	TITLE <b>AMBIENT VAPORIZER          GENERAL ARRANGEMENT</b> MODEL A10-10 SIZE FSCM NO. DWG. NO. <b>B 55429 A10-10</b> SCALE 6X JOB NUMBER