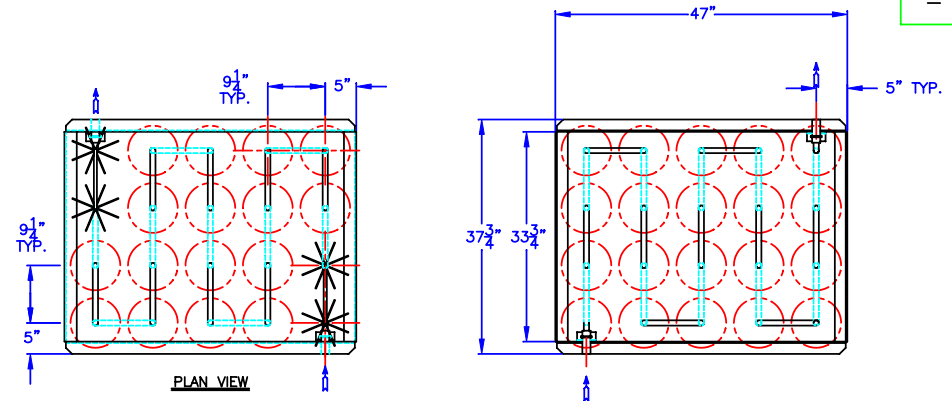
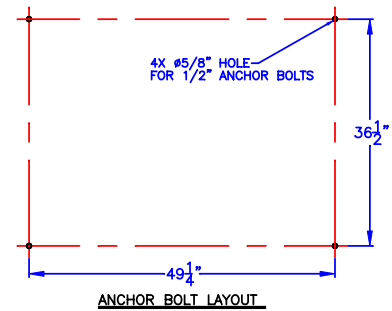
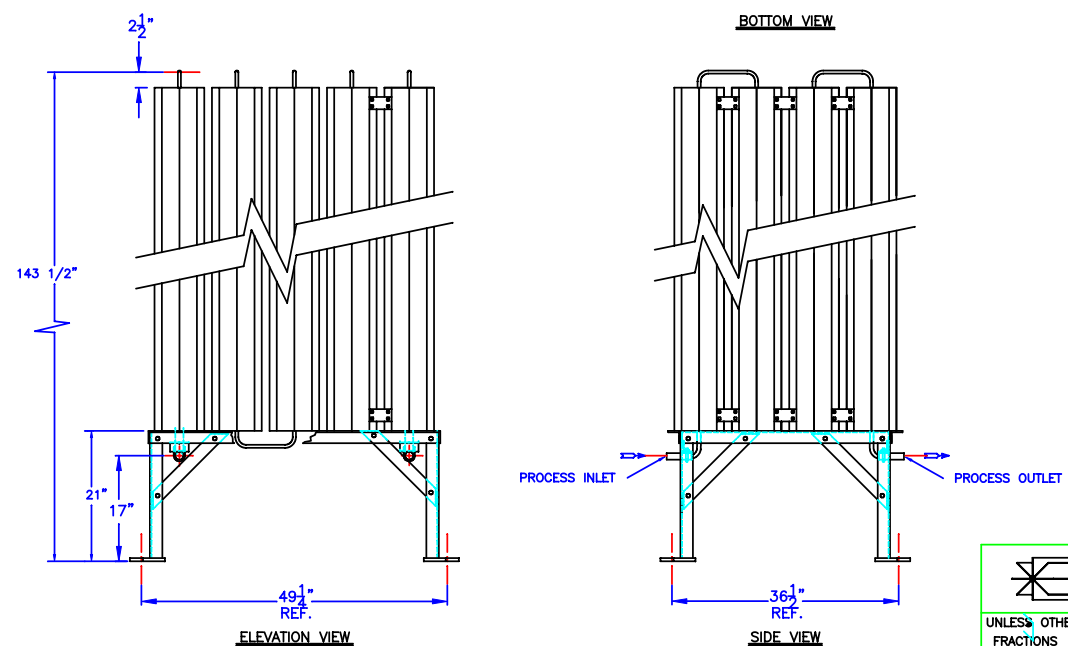


ZONE	REV LTR	DESCRIPTION	E.O.	REVISED BY	DATE	APPR
-	-	ORIGINAL ISSUE		RW	10/30/07	



THIS DRAWING IS PROPRIETARY INFORMATION PROPERTY OF CRYOGENIC EXPERTS, INC. USE THIS FOR INFORMATION ONLY. DIMENSIONS AND CONNECTION LOCATIONS WILL CHANGE DEPENDING ON THE APPLICATION



		CRYOGENIC EXPERTS				
		531 Sandy Circle, El Rio, California 93036 Toll Free 1-800-FOR-CEXI OR Phone (805) 981-4500 Fax. (805) 981-4501				
UNLESS OTHERWISE NOTED: FRACTIONS ±1/8" DECIMALS X±.1 XX±.03 XXX±.01 ANGLES ±° BREAK ALL SHARP EDGES DIMENSIONS ARE IN INCHES ORG JOB No. - FILE -	APPROVALS	DATE	TITLE			
	DESIGN: KMK	10/30/07	AMBIENT VAPORIZER GENERAL ARRANGEMENT			
	CHECKED:		MODEL			
	MANUF:		A20-10			
	RELEASED:		SIZE	FSCM NO.	DWG. NO.	REV.
			B	55429	A20-10	-
			SCALE	10X	JOB NUMBER	SHEET 1 OF 1