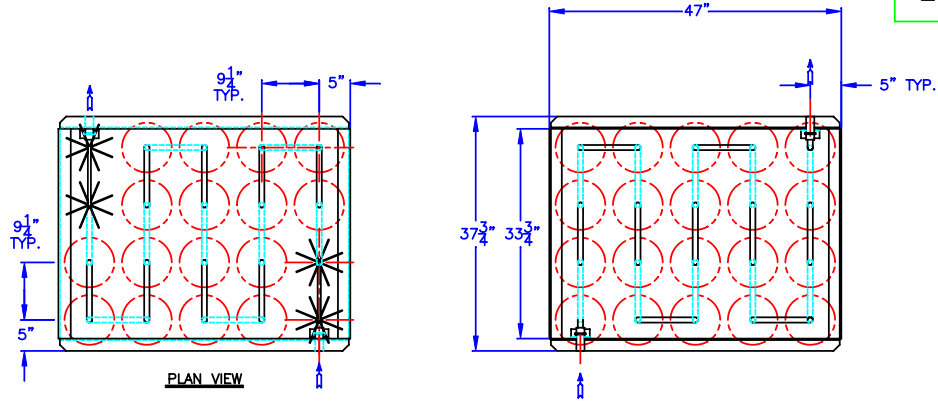
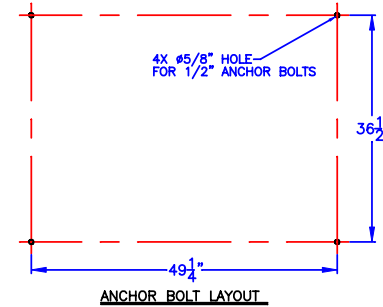
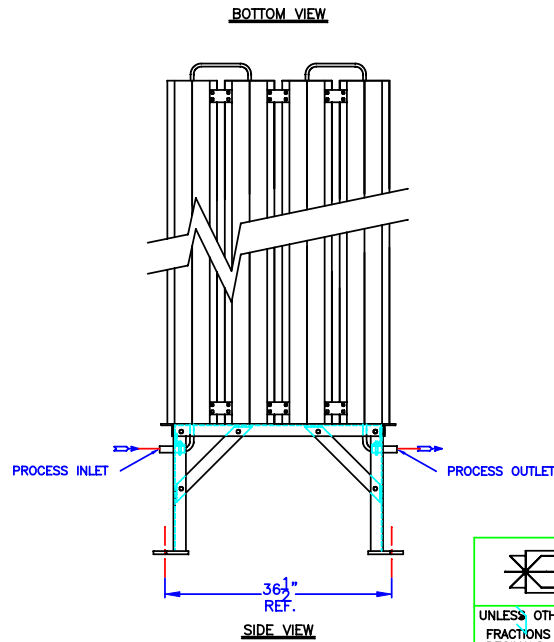
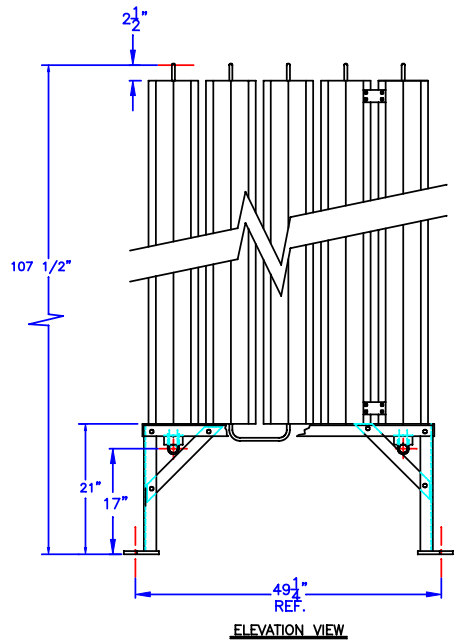


ZONE	REV LTR	DESCRIPTION	E.O.	REVISED BY	DATE	APPR
-	-	ORIGINAL ISSUE		RW	9/30/07	



THIS DRAWING IS PROPRIETARY INFORMATION
 PROPERTY OF CRYOGENIC EXPERTS, INC.
 USE THIS FOR INFORMATION ONLY.
 DIMENSIONS AND CONNECTION LOCATIONS
 WILL CHANGE DEPENDING ON THE
 APPLICATION



		CRYOGENIC EXPERTS		531 Sandy Circle, El Rio, California 93036	
		Toll Free 1-800-FOR-CEXI OR Phone (805) 981-4500 Fax. (805) 981-4501			
UNLESS OTHERWISE NOTED: FRACTIONS ±1/8" DECIMALS X±.1 XX±.03 XXX±.01 ANGLES ±° BREAK ALL SHARP EDGES DIMENSIONS ARE IN INCHES ORG JOB No. - FILE -	APPROVALS	DATE	TITLE		
	DESIGN: KMK	9/30/07	AMBIENT VAPORIZER GENERAL ARRANGEMENT		
	CHECKED:		MODEL		
	MANUF:		A20		
	RELEASED:		SIZE	FSCM NO.	DWG. NO.
			B 55429		A20
			SCALE	10X	JOB NUMBER
					SHEET 1 OF 1