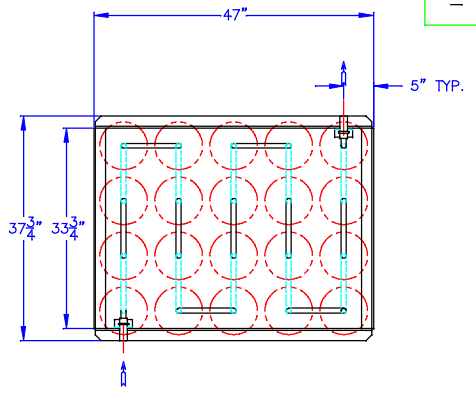
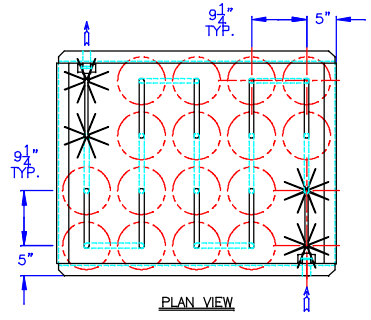
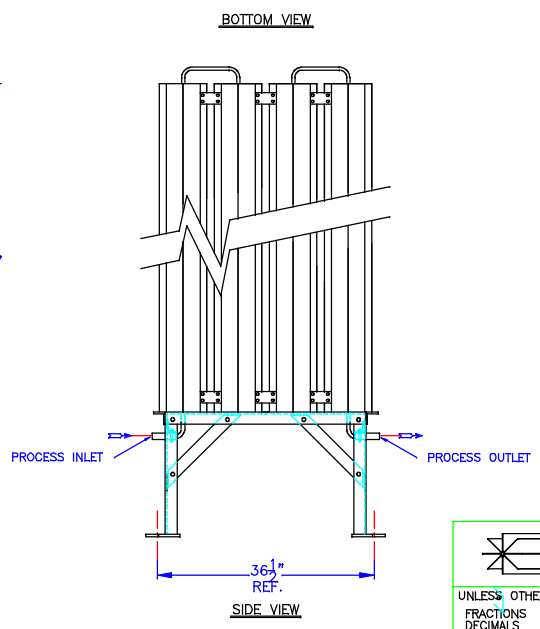
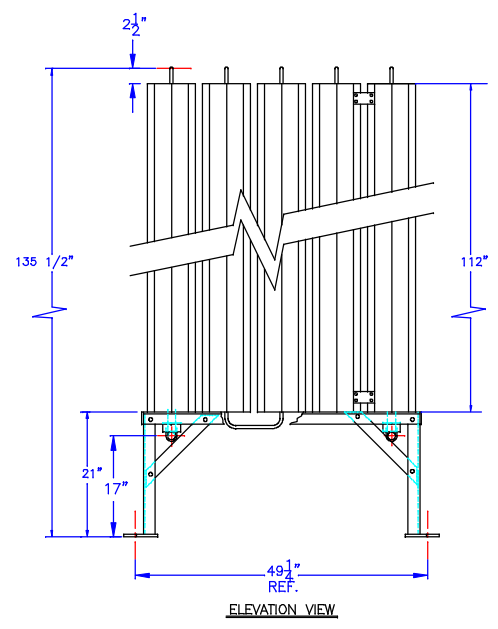
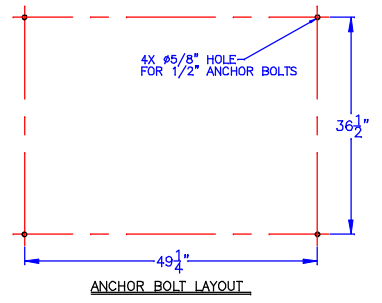


ZONE	REV LTR	DESCRIPTION	E.O.	REVISED BY	DATE	APPR
-	-	ORIGINAL ISSUE		RW	12/18/08	



THIS DRAWING IS PROPRIETARY INFORMATION PROPERTY OF CRYOGENIC EXPERTS, INC. USE THIS FOR INFORMATION ONLY. DIMENSIONS AND CONNECTION LOCATIONS WILL CHANGE DEPENDING ON THE APPLICATION



		<b>CRYOGENIC EXPERTS</b> 531 Sandy Circle, El Rio, California 93036 Toll Free 1-800-FOR-CEXI OR Phone (805) 981-4500 Fax. (805) 981-4501			
		APPROVALS DESIGN: KMK CHECKED:	DATE 12/18/08	TITLE <b>AMBIENT VAPORIZER          GENERAL ARRANGEMENT</b>	
UNLESS OTHERWISE NOTED: FRACTIONS ±1/8" DECIMALS X±.01 ANGLES ±.01 BREAK ALL SHARP EDGES DIMENSIONS ARE IN INCHES		MODEL <b>A20SS-9.3</b>		SIZE FSCM NO. DWG. NO. <b>B 55429 A20SS-9.3</b>	
DRG JOB No. - FILE -	MANUF: RELEASED:	SCALE 10X JOB NUMBER	SHEET 1 OF 1		