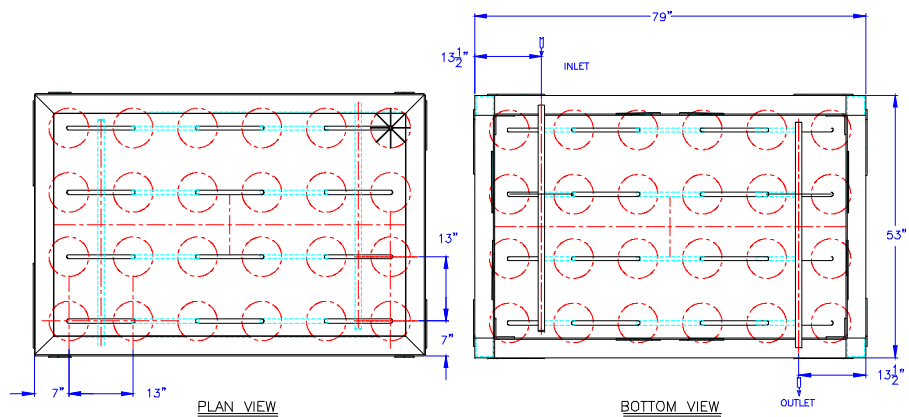
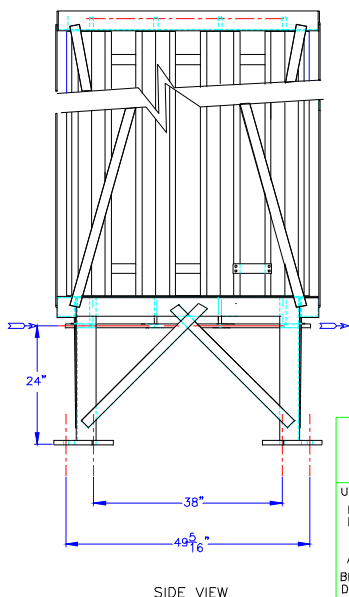
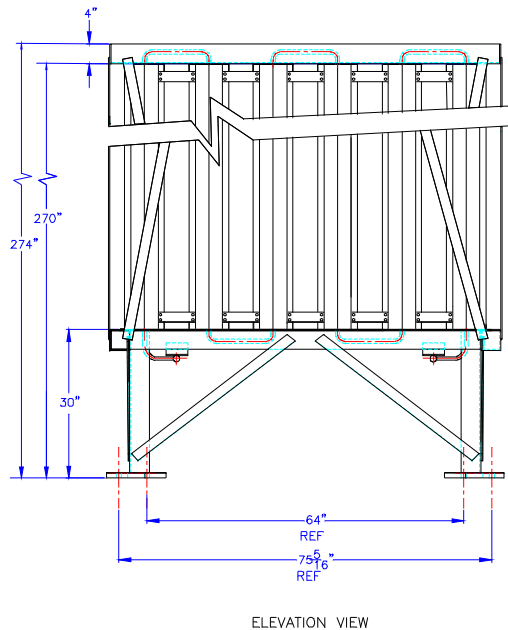
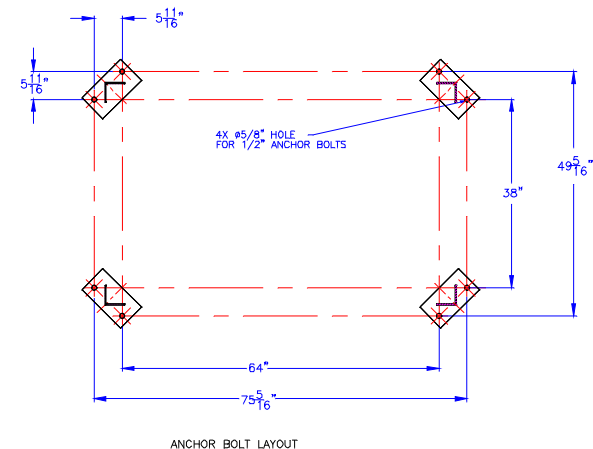


ZONE	REV LTR	DESCRIPTION	E.O.	REVISED BY	DATE	APPR
-	-	ORIGINAL ISSUE		RW	1/30/09	



THIS DRAWING IS PROPRIETARY INFORMATION PROPERTY OF CRYOGENIC EXPERTS, INC. USE THIS FOR INFORMATION ONLY. DIMENSIONS AND CONNECTION LOCATIONS WILL CHANGE DEPENDING ON THE APPLICATION



		CRYOGENIC EXPERTS 531 Sandy Circle, El Rio, California 93036 Toll Free 1-800-FOR-CEXI OR Phone (805) 981-4500 Fax. (805) 981-4501						
		APPROVALS DESIGN: KMK CHECKED: MANUF: RELEASED:	DATE 1/30/09	TITLE AMBIENT VAPORIZER GENERAL ARRANGEMENT	MODEL A24EG-20	REV. -		
UNLESS OTHERWISE NOTED: FRACTIONS ±1/8" DECIMALS X±.1 XX±.03 XXX±.01 ANGLES ± 1° BREAK ALL SHARP EDGES DIMENSIONS ARE IN INCHES	ORC JOB No. -	FILE -	SIZE B 55429	FSCM NO. -	DWG. NO. A24EG-20	SCALE 12X	JOB NUMBER -	SHEET 1 OF 1