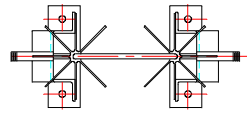
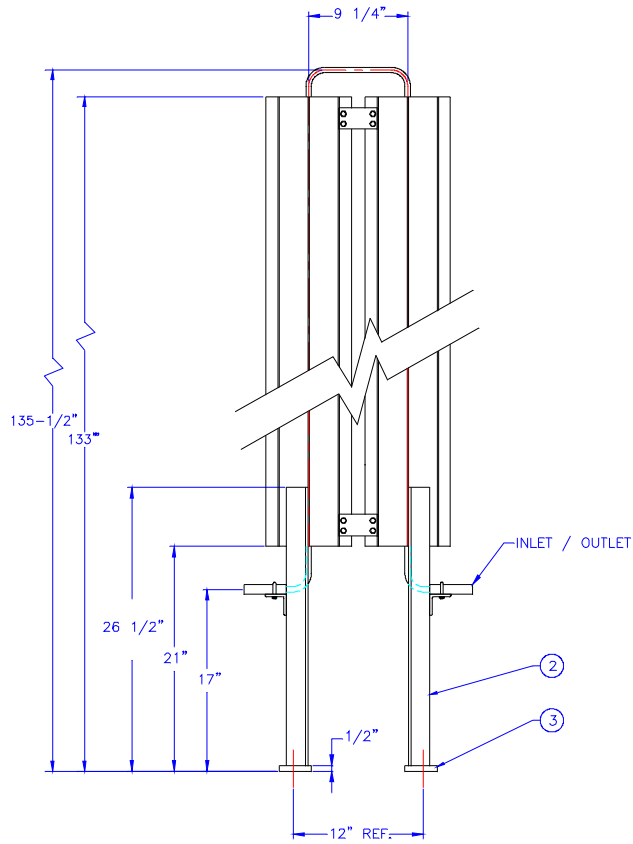


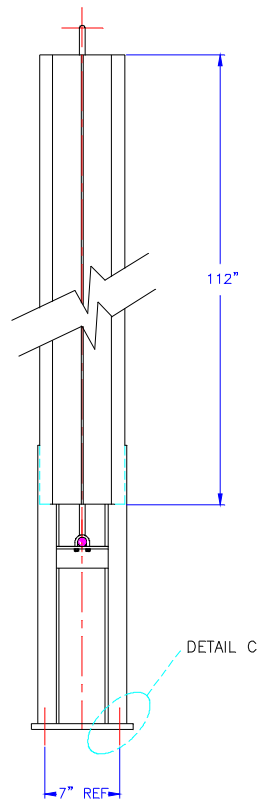
ZONE	REV LTR	DESCRIPTION	DATE	APPR
-	-	ORIG ISSUE	-	-



PLAN VIEW

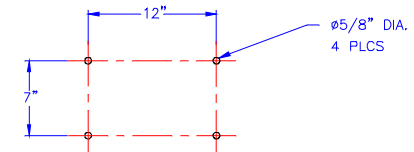


ELEVATION VIEW



SIDE VIEW

THIS DRAWING IS PROPRIETARY INFORMATION  
PROPERTY OF CRYOGENIC EXPERTS, INC.  
USE THIS FOR INFORMATION ONLY.  
DIMENSIONS AND CONNECTION LOCATIONS  
WILL CHANGE DEPENDING ON THE  
APPLICATION



ANCHOR BOLT LAYOUT

APPROVALS		DATE	TITLE
DESIGN:	TDD	12-16-08	AMBIENT VAPORIZER GENERAL ASSEMBLY
CHECKED:			MODEL A2SS-9.3
MANUF:			SIZE FSCM NO. DWG. NO. D155429 A2SS-9.3
RELEASE:			SCALE NTS JOB NUMBER

CRYOGENIC EXPERTS \*  
531 SANDY GIRCLE, EL. RD., CA 95058-0971  
Toll Free 1-800-FOR-CERI OR Phone (905) 881-4500 Fax: (905) 881-4501

UNLESS OTHERWISE NOTED:  
FRACTIONS: 1/4"  
DECIMALS: .001  
ANGLES: 0.1°  
BEG. JOE  
BREAK ALL SHARP EDGES  
DIMENSIONS ARE IN INCHES

REV. -

SHEET 1 OF 1