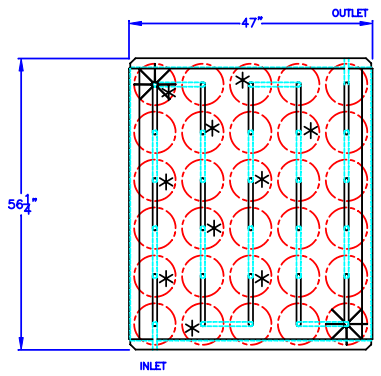
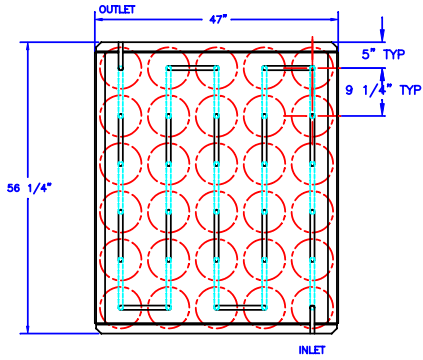


ZONE	REV LTR	DESCRIPTION	E.O.	REVISED BY	DATE	APPR
-	-	ORIGINAL ISSUE		RW	9/30/07	

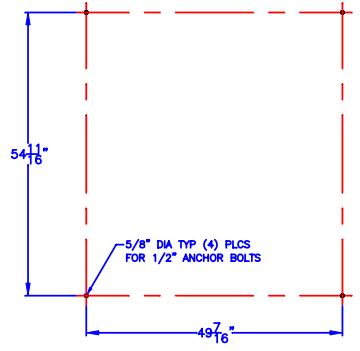
THIS DRAWING IS PROPRIETARY INFORMATION  
PROPERTY OF CRYOGENIC EXPERTS, INC.  
USE THIS FOR INFORMATION ONLY.  
DIMENSIONS AND CONNECTION LOCATIONS  
WILL CHANGE DEPENDING ON THE  
APPLICATION



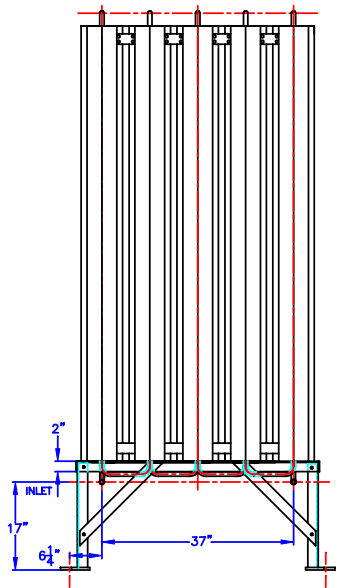
PLAN VIEW



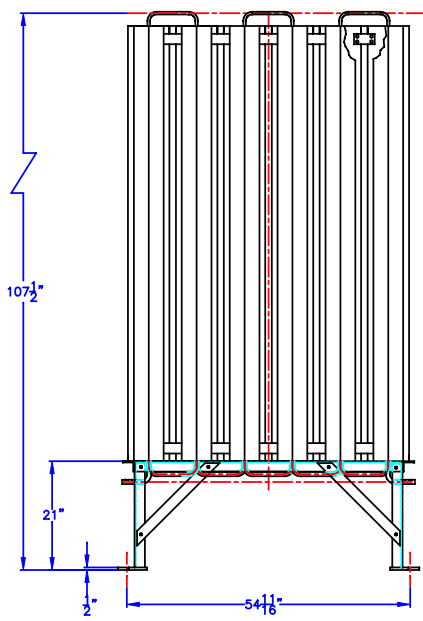
BOTTOM VIEW



ANCHOR BOLT LAYOUT



ELEVATION VIEW



SIDE VIEW

		<b>CRYOGENIC EXPERTS</b> 531 Sandy Circle, El Rio, California 93036 Toll Free 1-800-FOR-CEXI OR Phone (805) 981-4500 Fax. (805) 981-4501			
		UNLESS OTHERWISE NOTED: FRACTIONS ±1/8" DECIMALS X±.1 XX±.03 XXX±.01 ± .01 ANGLES BREAK ALL SHARP EDGES DIMENSIONS ARE IN INCHES ORG JOB No. -	APPROVALS DESIGN: KMK CHECKED: MANUF: RELEASED:	DATE 9/30/07	TITLE <b>AMBIENT VAPORIZER  GENERAL ARRANGEMENT</b>
FILE -	SCALE 12X	SIZE FSCM NO. <b>B 55429</b>	DWG. NO. <b>A30</b>	REV. -	JOB NUMBER SHEET 1 OF 1