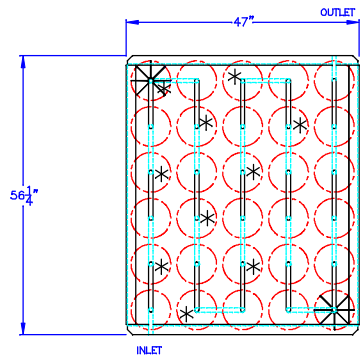
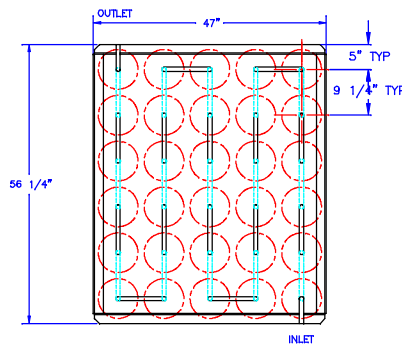


ZONE	REV LTR	DESCRIPTION	E.O.	REVISED BY	DATE	APPR
-	-	ORIGINAL ISSUE		RW	12/18/08	

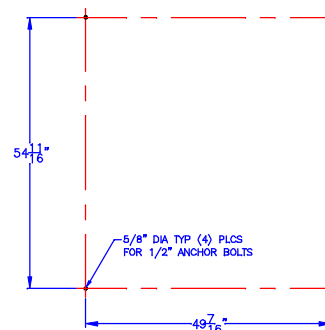


PLAN VIEW

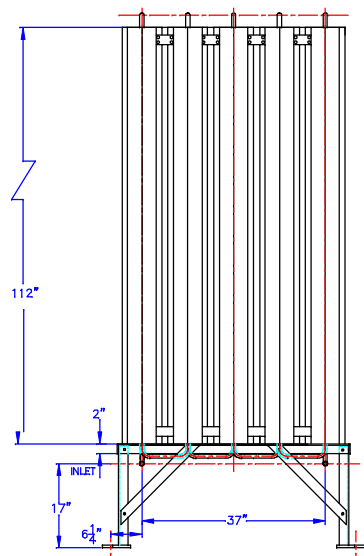


BOTTOM VIEW

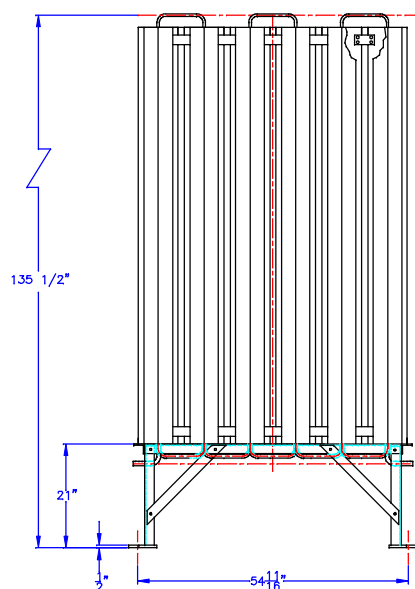
THIS DRAWING IS PROPRIETARY INFORMATION
PROPERTY OF CRYOGENIC EXPERTS, INC.
USE THIS FOR INFORMATION ONLY.
DIMENSIONS AND CONNECTION LOCATIONS
WILL CHANGE DEPENDING ON THE
APPLICATION



ANCHOR BOLT LAYOUT



ELEVATION VIEW



SIDE VIEW

		CRYOGENIC EXPERTS 531 Sandy Circle, El Rio, California 93036 Toll Free 1-800-FOR-CEXI OR Phone (805) 981-4500 Fax: (805) 981-4501			
		UNLESS OTHERWISE NOTED: FRACTIONS ±1/8" DECIMALS ±.03 ANGLES ±1° BREAK ALL SHARP EDGES DIMENSIONS ARE IN INCHES	APPROVALS DESIGN: KMK CHECKED:	DATE 12/18/08	TITLE AMBIENT VAPORIZER GENERAL ARRANGEMENT
DRG JOB No. - FILE -	MANUF: RELEASED:	MODEL A30SS-9.3		SIZE FSCM NO. B 55429	DWG. NO. A30SS-9.3
		SCALE 12X	JOB NUMBER	REV. - SHEET 1 OF 1	