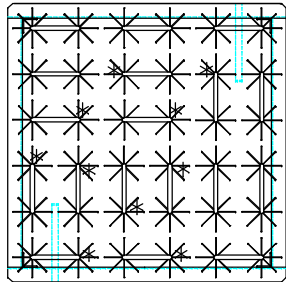
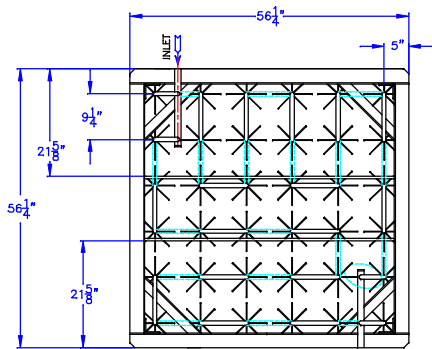


ZONE	REV LTR	DESCRIPTION	E.O.	REVISED BY	DATE	APPR
-	-	ORIGINAL ISSUE		RW	10/30/07	

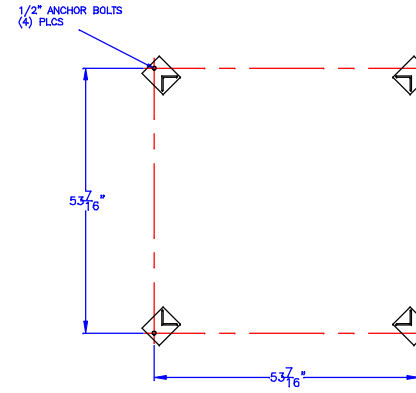


PLAN VIEW

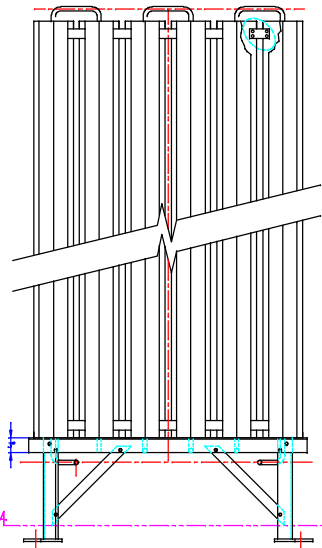


SECTION "A-A"

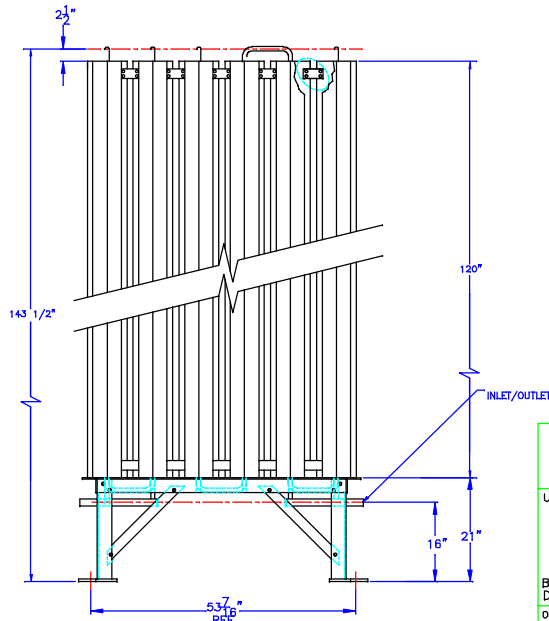
THIS DRAWING IS PROPRIETARY INFORMATION PROPERTY OF CRYOGENIC EXPERTS, INC. USE THIS FOR INFORMATION ONLY. DIMENSIONS AND CONNECTION LOCATIONS WILL CHANGE DEPENDING ON THE APPLICATION



ANCHOR BOLT LAYOUT



ELEVATION VIEW



SIDE VIEW

		CRYOGENIC EXPERTS 531 Sandy Circle, El Rio, California 93036 Toll Free 1-800-FOR-CEXI OR Phone (805) 981-4500 Fax: (805) 981-4501			
		UNLESS OTHERWISE NOTED: FRACTIONS ±1/8" DECIMALS X±.1 XX±.03 XXX±.01 ANGLES ±1° BREAK ALL SHARP EDGES DIMENSIONS ARE IN INCHES	APPROVALS DESIGN: KMK CHECKED:	DATE 10/30/07	TITLE AMBIENT VAPORIZER GENERAL ARRANGEMENT
DRG JOB No. - FILE -	MANUF: RELEASED:	MODEL A36-10	SIZE B 55429	FSCM NO. A36-10	DWG. NO. A36-10
		SCALE 12X	JOB NUMBER	REV. -	SHEET 1 OF 1