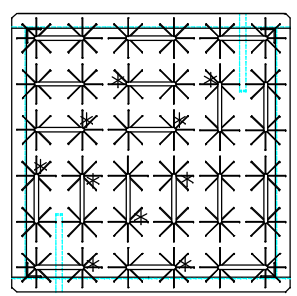
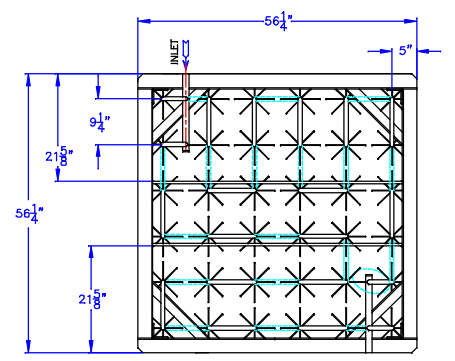


ZONE	REV LTR	DESCRIPTION	E.O.	REVISED BY	DATE	APPR
-	-	ORIGINAL ISSUE		RW	12/18/08	

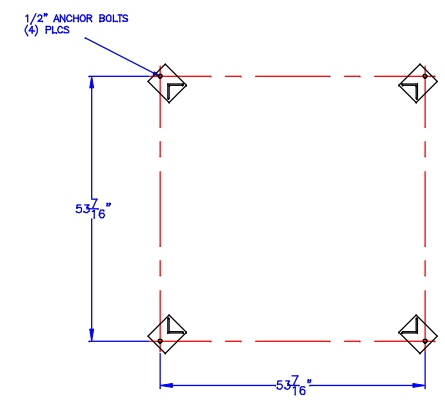
THIS DRAWING IS PROPRIETARY INFORMATION PROPERTY OF CRYOGENIC EXPERTS, INC. USE THIS FOR INFORMATION ONLY. DIMENSIONS AND CONNECTION LOCATIONS WILL CHANGE DEPENDING ON THE APPLICATION



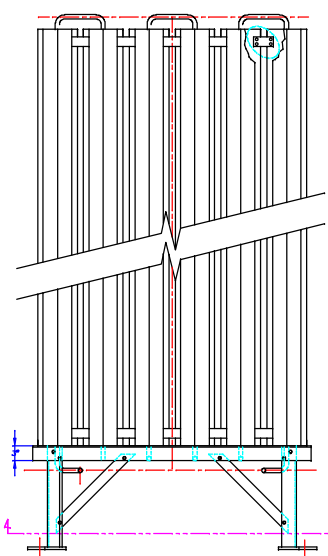
PLAN VIEW



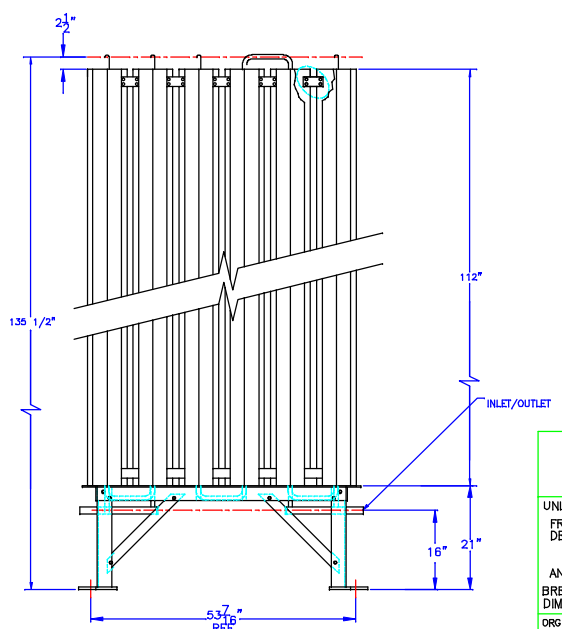
SECTION "A-A"



ANCHOR BOLT LAYOUT



ELEVATION VIEW



SIDE VIEW

		CRYOGENIC EXPERTS 531 Sandy Circle, El Rio, California 93036 Toll Free 1-800-FOR-CEXI OR Phone (805) 981-4500 Fax: (805) 981-4501			
		UNLESS OTHERWISE NOTED: FRACTIONS ±1/8" DECIMALS X±.1 XX±.03 XXX±.01 ANGLES ±1° BREAK ALL SHARP EDGES DIMENSIONS ARE IN INCHES	APPROVALS DESIGN: KMK CHECKED:	DATE 12/18/08	TITLE AMBIENT VAPORIZER GENERAL ARRANGEMENT
DRG JOB No. - FILE -	MANUF: RELEASED:	MODEL A36SS-9.3	SIZE B 55429	DWG. NO. A36SS-9.3	REV. -
SCALE 12X		JOB NUMBER		SHEET 1 OF 1	