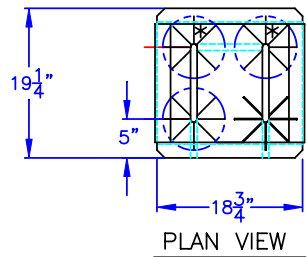
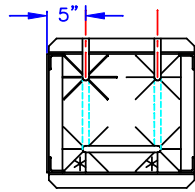


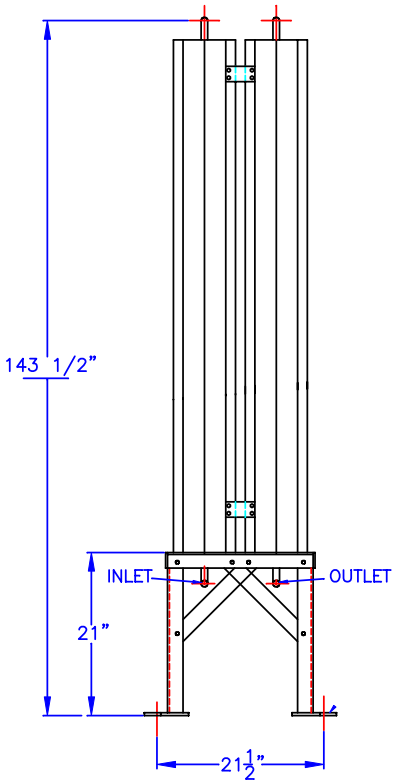
ZONE	REV LTR	DESCRIPTION	E.O.	REVISED BY	DATE	APPR
-	-	ORIGINAL ISSUE		RW	10/28/07	



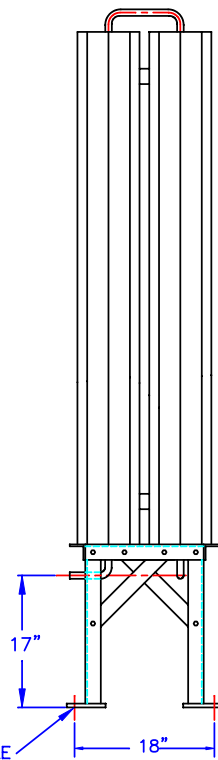
PLAN VIEW



BOTTOM VIEW



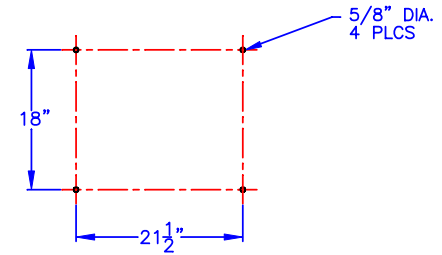
ELEVATION VIEW



SIDE VIEW

5/8" DIA HOLE
4 PLCS

THIS DRAWING IS PROPRIETARY INFORMATION
PROPERTY OF CRYOGENIC EXPERTS, INC.
USE THIS FOR INFORMATION ONLY.
DIMENSIONS AND CONNECTION LOCATIONS
WILL CHANGE DEPENDING ON THE
APPLICATION



ANCHOR BOLT LAYOUT

		CRYOGENIC EXPERTS 531 Sandy Circle, El Rio, California 93036 Toll Free 1-800-FOR-CEXI OR Phone (805) 981-4500 Fax. (805) 981-4501				
		UNLESS OTHERWISE NOTED: FRACTIONS ±1/8" DECIMALS X±.1 XX±.03 XXX±.01 ANGLES ±° BREAK ALL SHARP EDGES DIMENSIONS ARE IN INCHES ORG JOB No. - FILE -	APPROVALS DESIGN: KMK CHECKED: MANUF: RELEASED:	DATE 10/28/07	TITLE AMBIENT VAPORIZER GENERAL ARRANGEMENT MODEL A4-10	SIZE FSCM NO. B 55429
		SCALE 6X	JOB NUMBER	SHEET 1 OF 1		