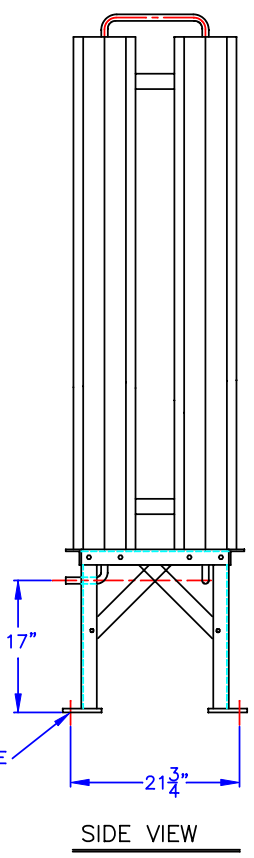
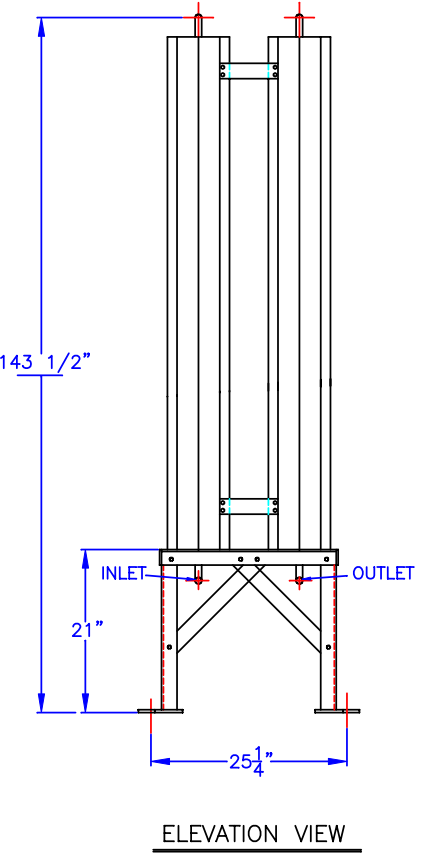
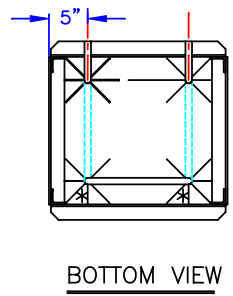
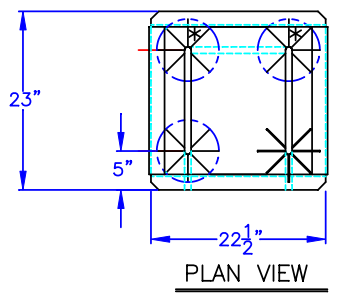
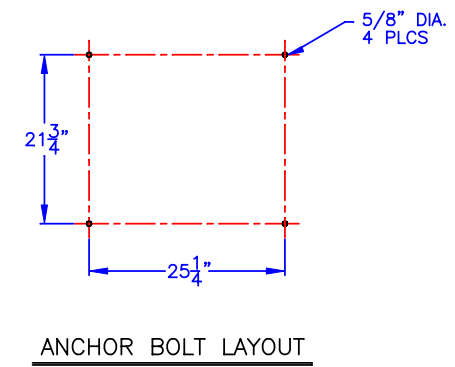


ZONE	REV LTR	DESCRIPTION	E.O.	REVISED BY	DATE	APPR
-	-	ORIGINAL ISSUE		RW	11/4/07	



THIS DRAWING IS PROPRIETARY INFORMATION
 PROPERTY OF CRYOGENIC EXPERTS, INC.
 USE THIS FOR INFORMATION ONLY.
 DIMENSIONS AND CONNECTION LOCATIONS
 WILL CHANGE DEPENDING ON THE
 APPLICATION



		CRYOGENIC EXPERTS 531 Sandy Circle, El Rio, California 93036 Toll Free 1-800-FOR-CEXI OR Phone (805) 981-4500 Fax. (805) 981-4501				
		UNLESS OTHERWISE NOTED: FRACTIONS ±1/8" DECIMALS X±.1 XX±.03 XXX±.01 ANGLES ±° BREAK ALL SHARP EDGES DIMENSIONS ARE IN INCHES ORG JOB No. - FILE -	APPROVALS DESIGN: KMK CHECKED: MANUF: RELEASED:	DATE 11/4/07	TITLE AMBIENT VAPORIZER GENERAL ARRANGEMENT MODEL A4-EG	SIZE FSCM NO. B 55429 SCALE 6X