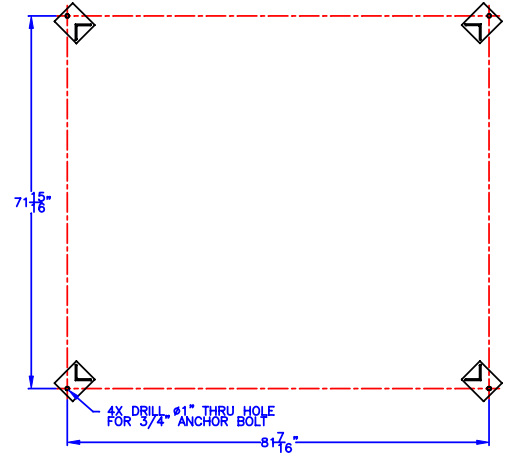
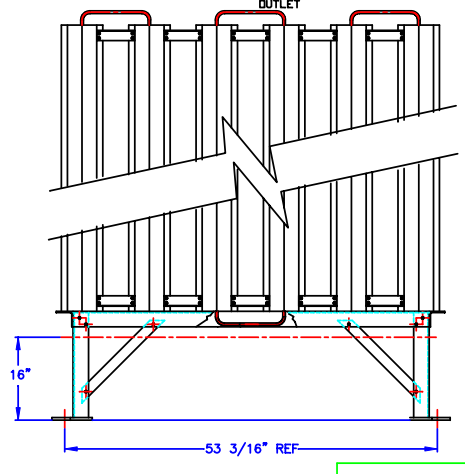
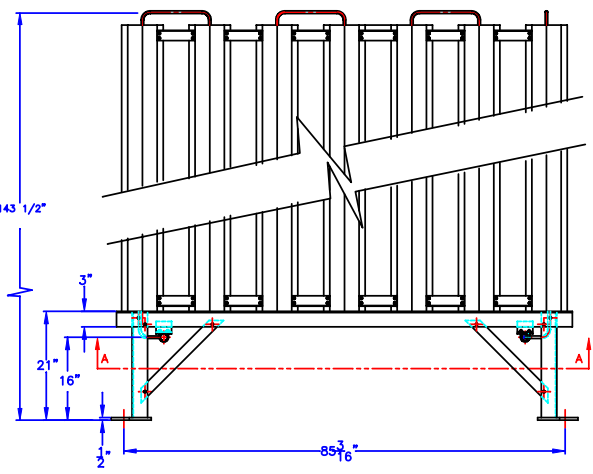
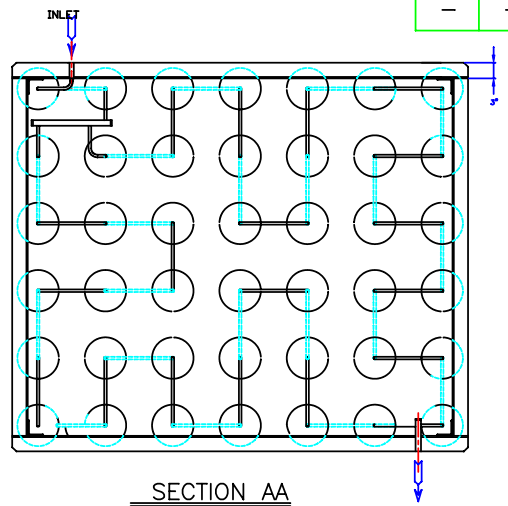
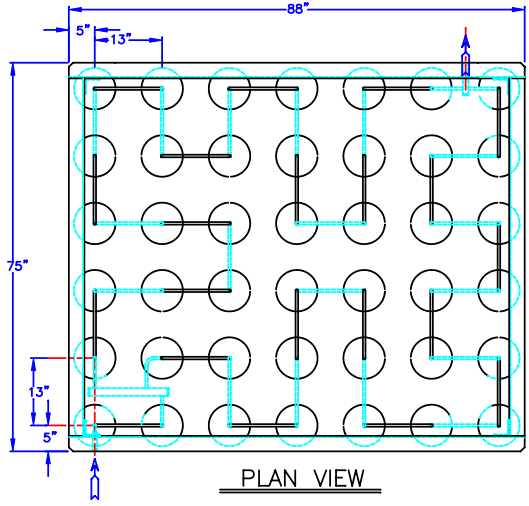


ZONE	REV LTR	DESCRIPTION	E.O.	REVISED BY	DATE	APPR
-	-	ORIGINAL ISSUE		RW	11/27/07	

THIS DRAWING IS PROPRIETARY INFORMATION  
PROPERTY OF CRYOGENIC EXPERTS, INC.  
USE THIS FOR INFORMATION ONLY.  
DIMENSIONS AND CONNECTION LOCATIONS  
WILL CHANGE DEPENDING ON THE  
APPLICATION



<b>EXI</b> <small>UNLESS OTHERWISE NOTED:  FRACTIONS ±1/8"  DECIMALS X±.1  XX±.03  XXX±.01  ANGLES ±°  BREAK ALL SHARP EDGES  DIMENSIONS ARE IN INCHES  ORG JOB No. -  FILE -</small>		APPROVALS	DATE	<b>CRYOGENIC EXPERTS</b> 531 Sandy Circle, El Rio, California 93036 Toll Free 1-800-FOR-CEXI OR Phone (805) 981-4500 Fax. (805) 981-4501		
		DESIGN: KMK	11/27/07	<b>TITLE</b> <b>AMBIENT VAPORIZER</b> <b>GENERAL ARRANGEMENT</b>		
<b>CHECKED:</b>		<b>MODEL</b> A42-EG		<b>SIZE</b> FSCM NO. DWG. NO. REV. B 55429 A42-EG -		
<b>MANUF:</b>		<b>RELEASED:</b>		<b>SCALE</b> 12X <b>JOB NUMBER</b> <b>SHEET 1 OF 1</b>		