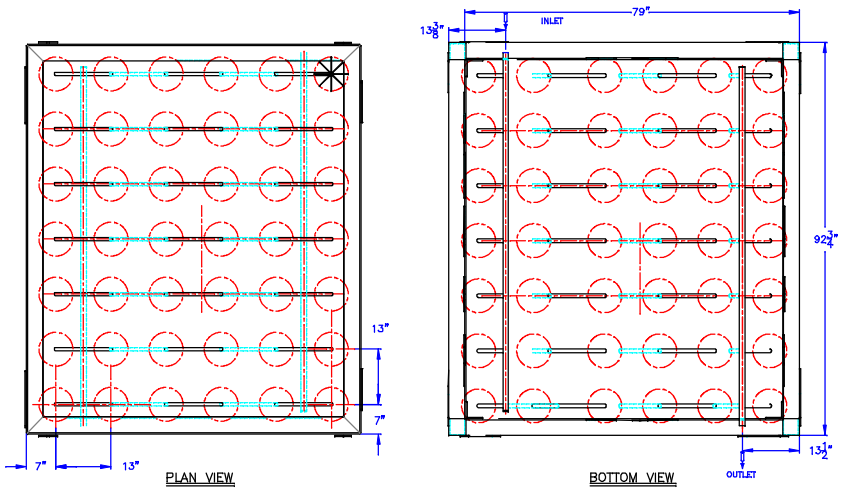


ZONE	REV LTR	DESCRIPTION	E.O.	REVISED BY	DATE	APPR
-	-	ORIGINAL ISSUE		KMK	2/3/09	RW

D

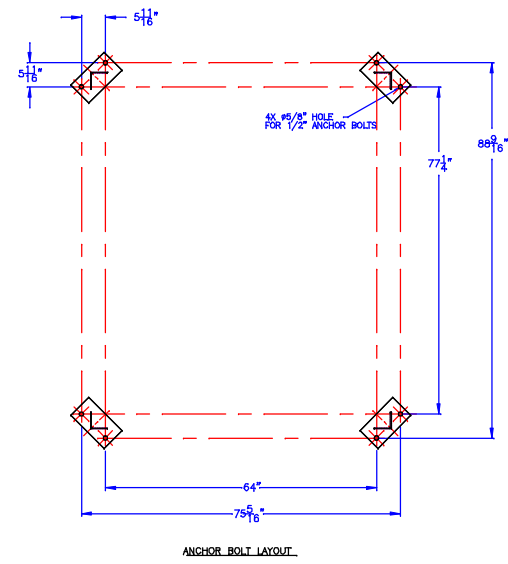
D



THIS DRAWING IS PROPRIETARY INFORMATION
 PROPERTY OF CRYOGENIC EXPERTS, INC.
 USE THIS FOR INFORMATION ONLY.
 DIMENSIONS AND CONNECTION LOCATIONS
 WILL CHANGE DEPENDING ON THE
 APPLICATION

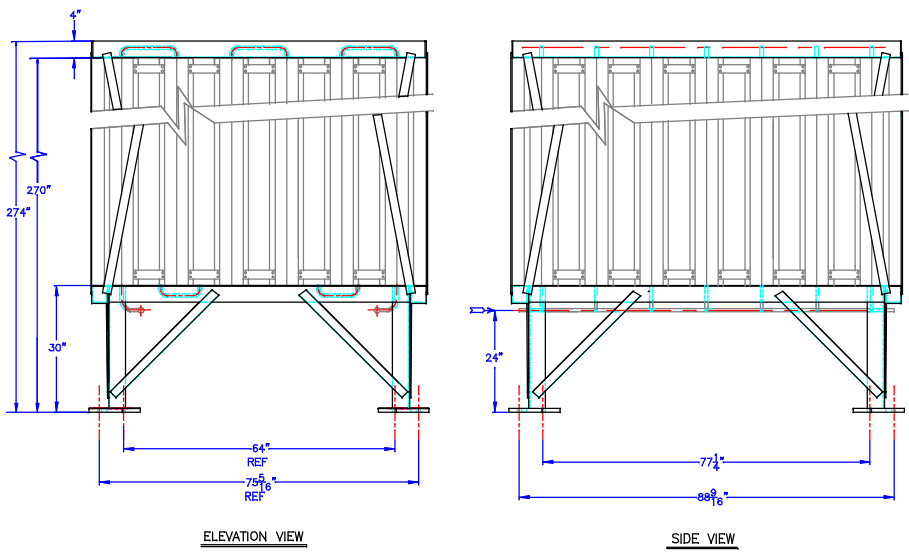
C

C



B

B



A

A

		CRYOGENIC EXPERTS 531 Sandy Circle, El Rio, California 93036 Toll Free 1-800-FOR-CEXI OR Phone (805) 981-4500 Fax: (805) 981-4501			
		APPROVALS DESIGN: KMK CHECKED:	DATE 2/3/09	TITLE AMBIENT VAPORIZER GENERAL ARRANGEMENT	
UNLESS OTHERWISE NOTED: FRACTIONS ±1/8" DECIMALS X±.1 XX±.03 XXX±.01 ANGLES ±1° BREAK ALL SHARP EDGES DIMENSIONS ARE IN INCHES	MANUF:	SIZE B 55429	FSCM NO. A42EG-20	DWG. NO. A42EG-20	REV. -
FILE -	RELEASED:	SCALE 12X	JOB NUMBER	SHEET 1 OF 1	

8 7 6 5 4 3 2 1