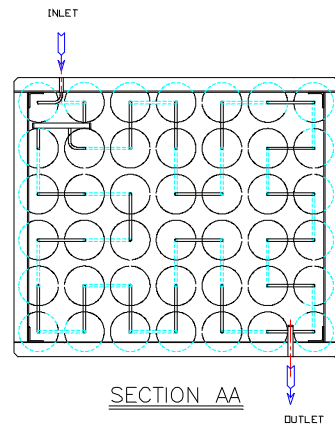
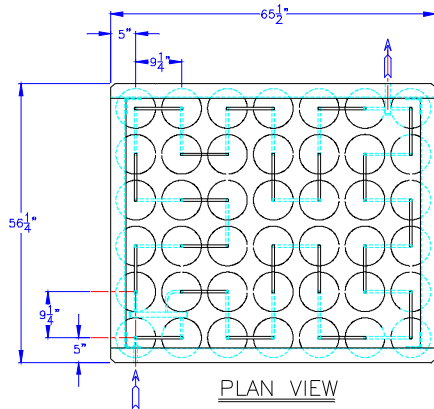
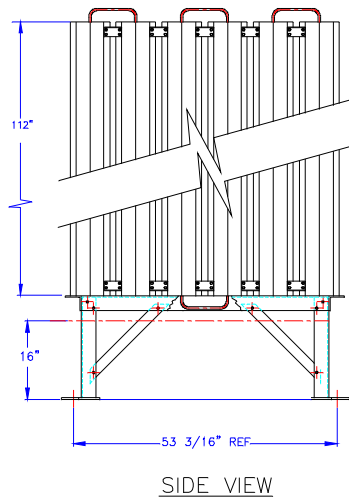
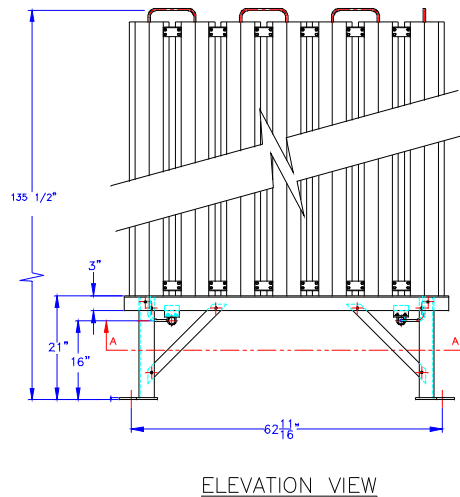
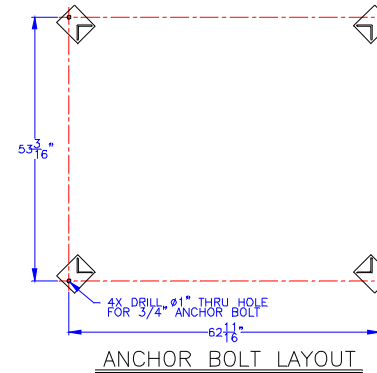


ZONE	REV LTR	DESCRIPTION	E.O.	REVISED BY	DATE	APPR
-	-	ORIGINAL ISSUE		RW	12/18/08	



THIS DRAWING IS PROPRIETARY INFORMATION
PROPERTY OF CRYOGENIC EXPERTS, INC.
USE THIS FOR INFORMATION ONLY.
DIMENSIONS AND CONNECTION LOCATIONS
WILL CHANGE DEPENDING ON THE
APPLICATION



		CRYOGENIC EXPERTS 531 Sandy Circle, El Rio, California 93036 Toll Free 1-800-FOR-CEXI OR Phone (805) 981-4500 Fax: (805) 981-4501			
		APPROVALS DESIGN: KMK CHECKED:	DATE 12/18/08	TITLE AMBIENT VAPORIZER GENERAL ARRANGEMENT	
UNLESS OTHERWISE NOTED: FRACTIONS ±1/8" DECIMALS X±.1 XX±.03 XXX±.01 ANGLES ± 1° BREAK ALL SHARP EDGES DIMENSIONS ARE IN INCHES		MODEL A42SS-9.3		SIZE FSCM NO. DWG. NO. B 55429 A42SS-9.3	
DRG JOB No. - FILE -	MANUF: RELEASED:	SCALE 12X JOB NUMBER		SHEET 1 OF 1	