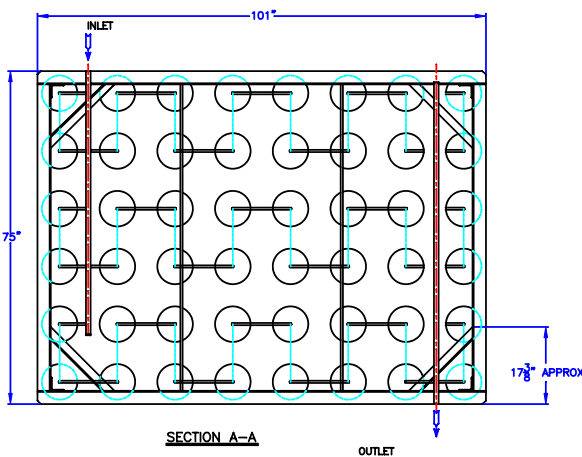
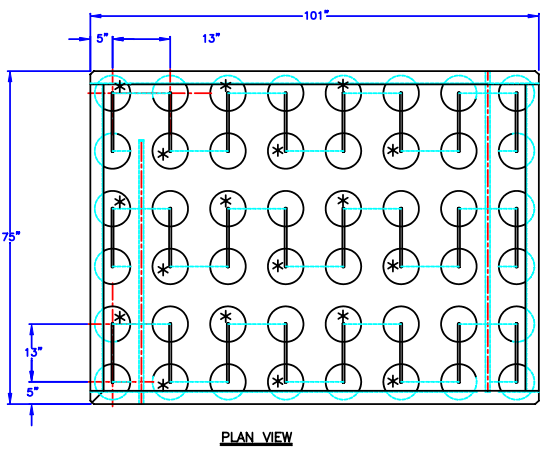
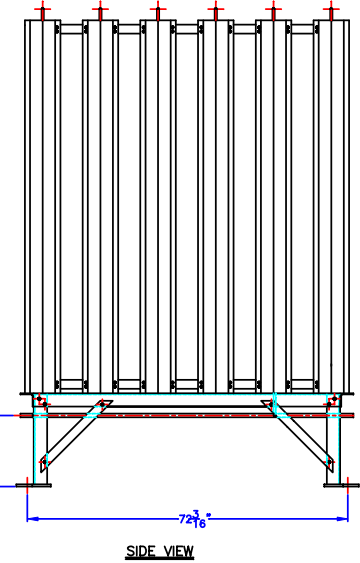
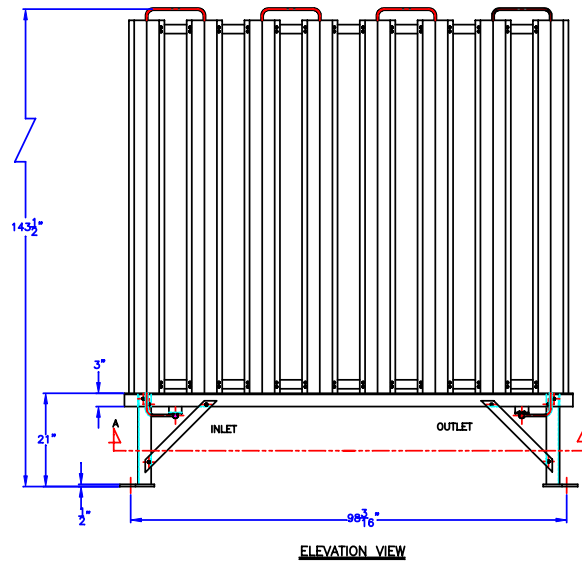
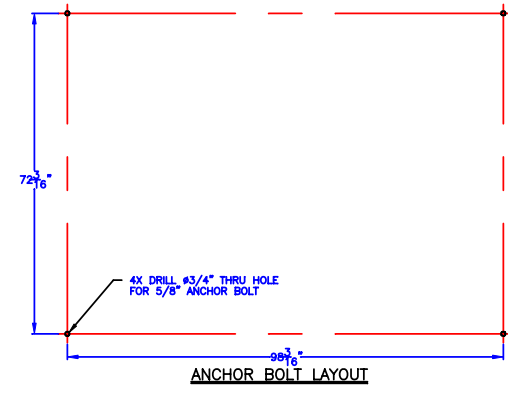


ZONE	REV LTR	DESCRIPTION	E.O.	REVISED BY	DATE	APPR
-	-	ORIGINAL ISSUE		RW	11/28/07	



THIS DRAWING IS PROPRIETARY INFORMATION PROPERTY OF CRYOGENIC EXPERTS, INC. USE THIS FOR INFORMATION ONLY. DIMENSIONS AND CONNECTION LOCATIONS WILL CHANGE DEPENDING ON THE APPLICATION



		<b>CRYOGENIC EXPERTS</b> 531 Sandy Circle, El Rio, California 93036 Toll Free 1-800-FOR-CEXI OR Phone (805) 981-4500 Fax. (805) 981-4501			
		UNLESS OTHERWISE NOTED: FRACTIONS ±1/8" DECIMALS X±.1 XX±.03 XXX±.01 ± .1" ANGLES BREAK ALL SHARP EDGES DIMENSIONS ARE IN INCHES ORG JOB No. - FILE -	APPROVALS DESIGN: KMK CHECKED: MANUF: RELEASED:	DATE 11/28/07	TITLE <b>AMBIENT VAPORIZER          GENERAL ARRANGEMENT</b> MODEL <b>A48-EG</b> SIZE FSCM NO. DWG. NO. REV. <b>B 55429 A48-EG -</b> SCALE 14X JOB NUMBER SHEET 1 OF 1