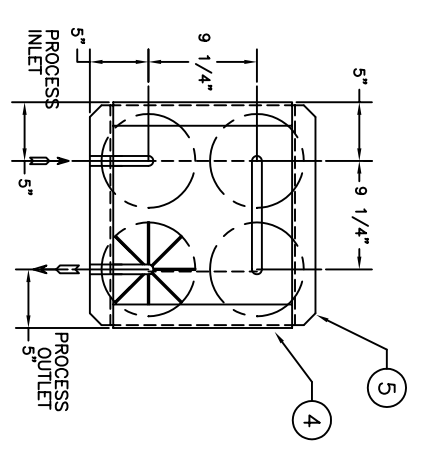
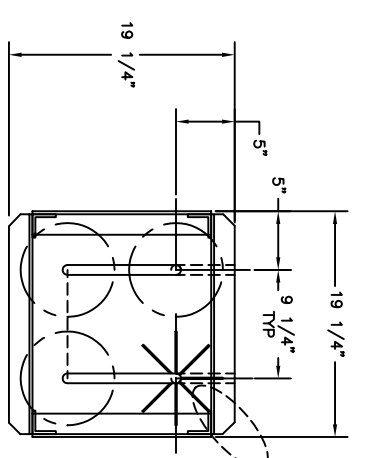


NOTES: UNLESS OTHERWISE SPECIFIED
 1. INSERT DUMMIES IN ALL EXTRUSIONS
 2. MAMP = 500 PSIG

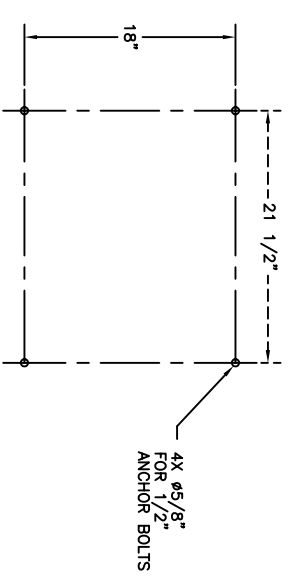


PLAN VIEW

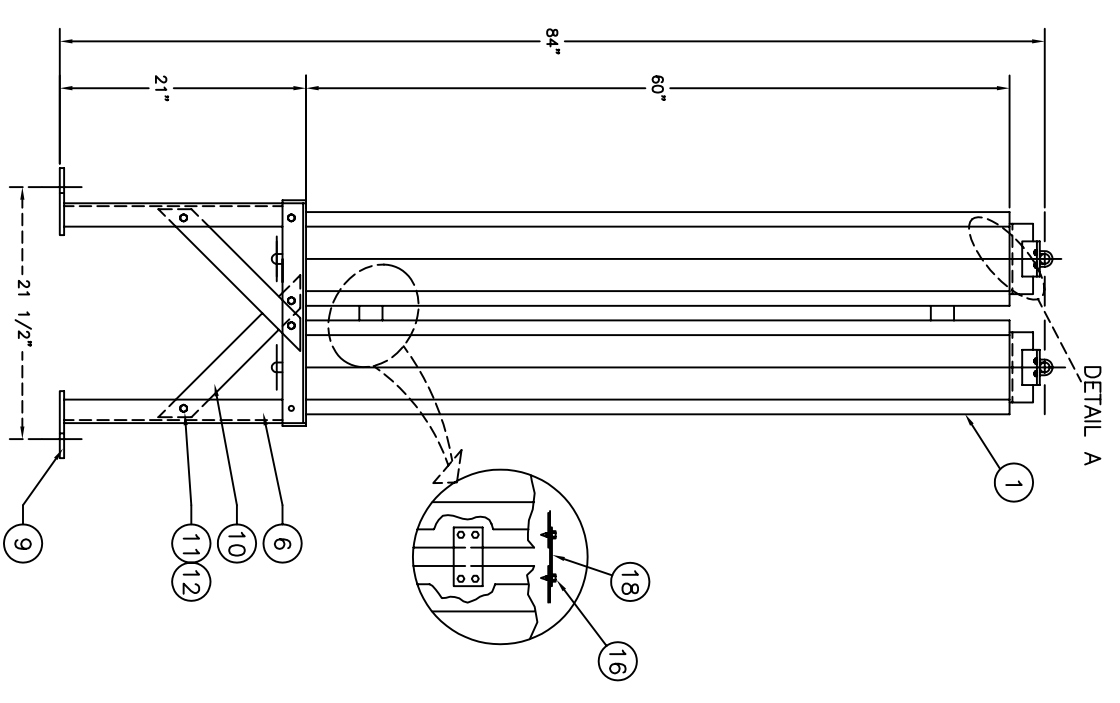


BOTTOM VIEW

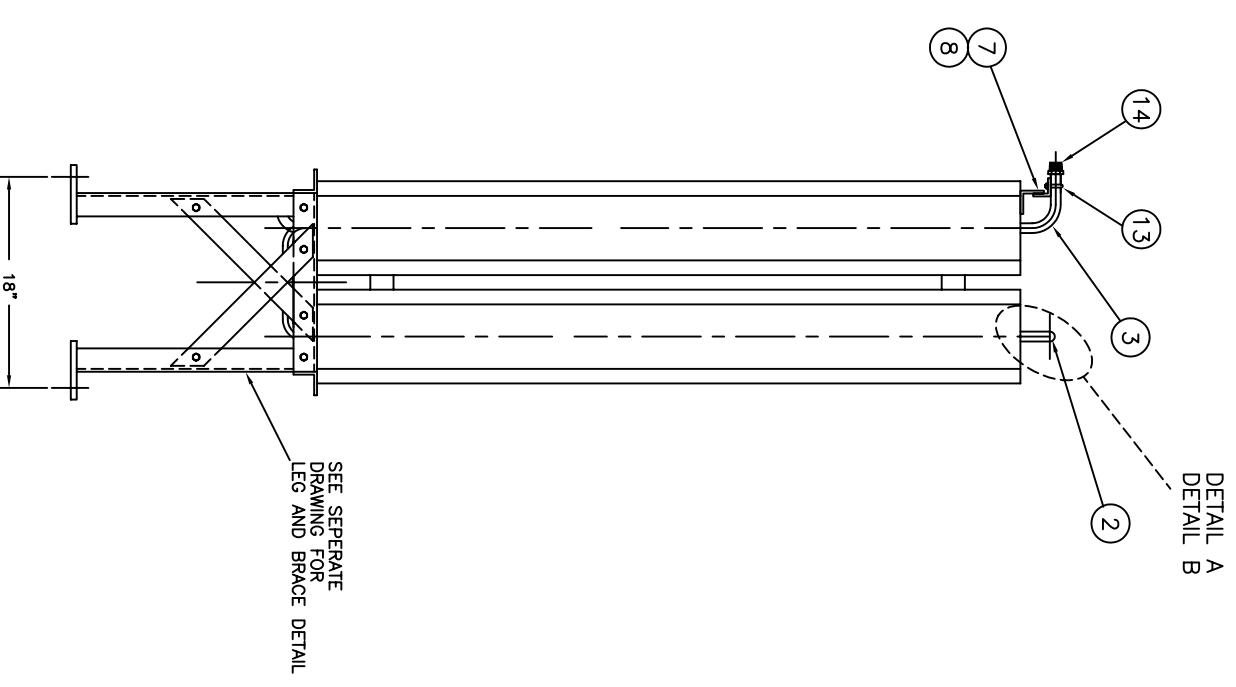
ZONE	REV	DESCRIPTION	REVISED BY	DATE	APPR
-	-	ORIGINAL ISSUE	-	-	-



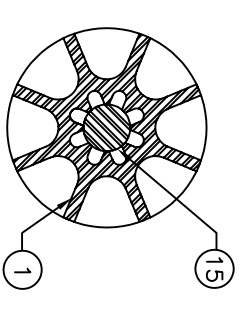
ANCHOR BOLT LAYOUT



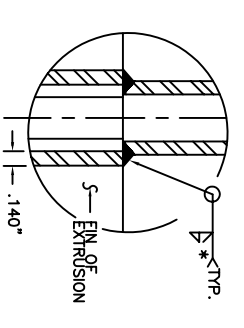
ELEVATION VIEW



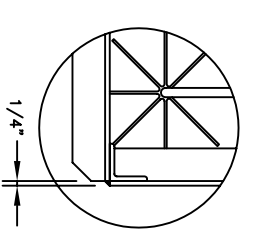
SIDE VIEW



DETAIL A



DETAIL B



DETAIL C

		CRYOGENIC EXPERTS 531 South Central Ex Road, California 90238 Toll Free 1-800-FOR-CEX or Phone (805) 981-4500 Fax: (805) 981-4501	
UNLESS OTHERWISE NOTED: FRACTIONS 1/4" DECIMALS .01 ANGLES 30° BREAK ALL SHARP EDGES DIMENSIONS ARE IN INCHES SEE 2ND REV.	APPROVALS: _____ DESIGN: TDD CHECKED: _____ MANUF: _____ RELEASED: _____	DATE: 2-20-02 MODEL: AAALB-5 SIZE FROM NO. D55429 SCALE: 1:8	TITLE: AMBIENT VAPORIZER GENERAL ASSEMBLY DWG. NO. A500112-6 JOB NUMBER: _____ SHEET 1 OF 1