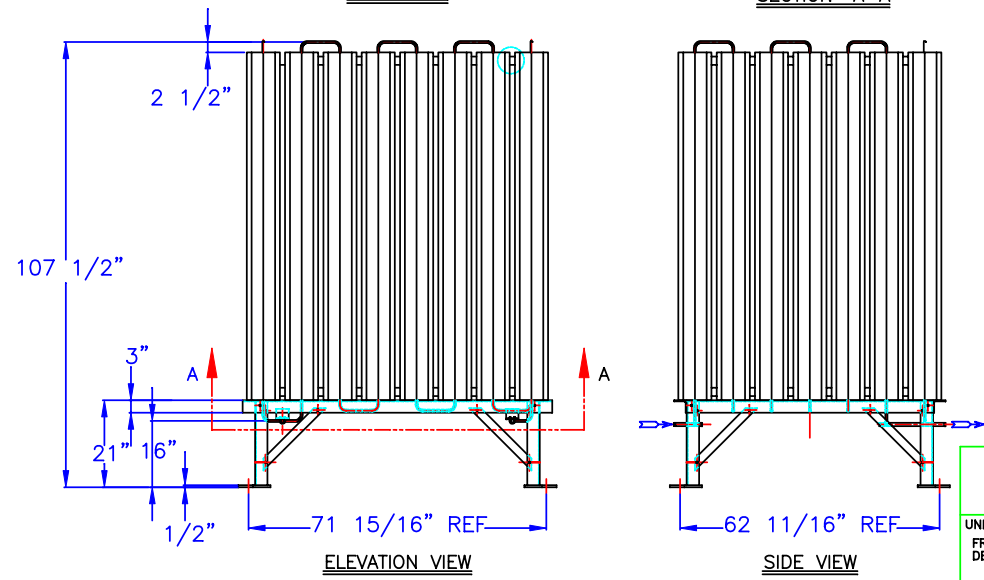
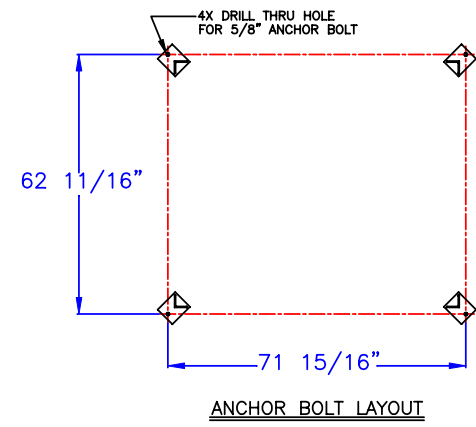
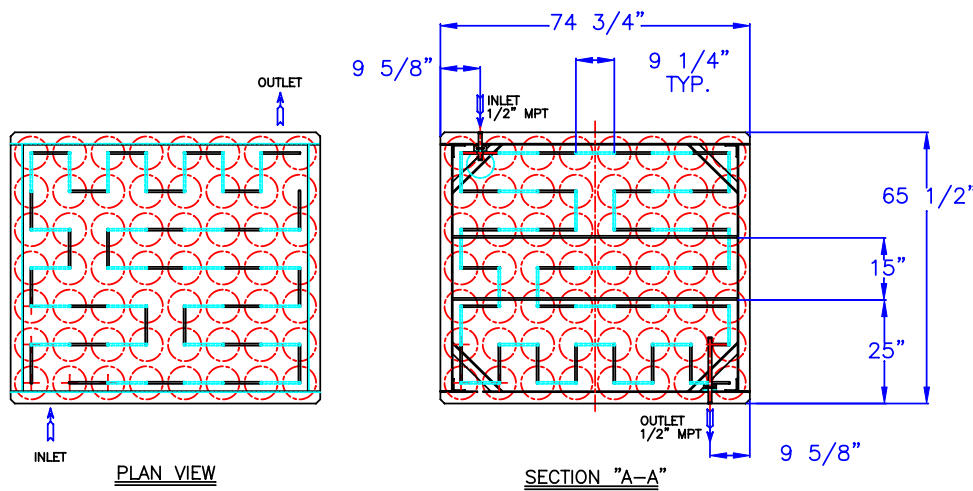


ZONE	REV LTR	DESCRIPTION	E.O.	REVISED BY	DATE	APPR
-	-	ORIGINAL ISSUE		RW	9/25/07	

THIS DRAWING IS PROPRIETARY INFORMATION PROPERTY OF CRYOGENIC EXPERTS, INC. USE THIS FOR INFORMATION ONLY. DIMENSIONS AND CONNECTION LOCATIONS WILL CHANGE DEPENDING ON THE APPLICATION



		CRYOGENIC EXPERTS		TITLE			
		531 Sandy Circle, El Rio, California 93036 Toll Free 1-800-FOR-CEXI OR Phone (805) 981-4500 Fax. (805) 981-4501		AMBIENT VAPORIZER GENERAL ARRANGEMENT			
UNLESS OTHERWISE NOTED: FRACTIONS ±1/8" DECIMALS X±.1 XX±.03 XXX±.01 ANGLES ±° BREAK ALL SHARP EDGES DIMENSIONS ARE IN INCHES ORG JOB No. - FILE -		APPROVALS DESIGN: KMK CHECKED: MANUF: RELEASED:	DATE 9/25/07	MODEL A56	SIZE FSCM NO. B 55429	DWG. NO. A56	REV. -
		SCALE 15X	JOB NUMBER	SHEET 1 OF 1			