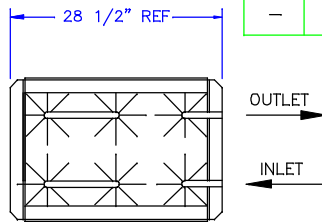
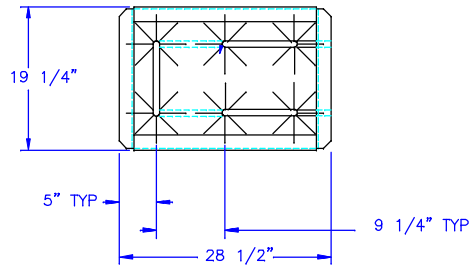
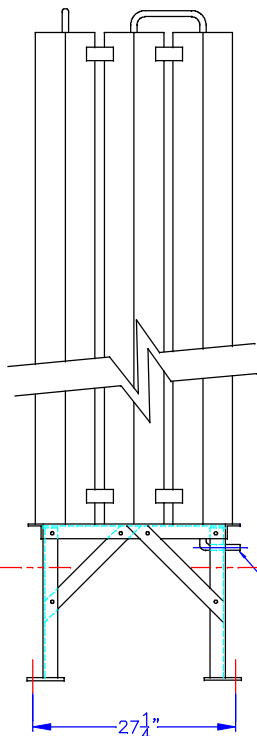


ZONE	REV LTR	DESCRIPTION	E.O.	REVISED BY	DATE	APPR
-	-	ORIGINAL ISSUE		RW	12/16/08	

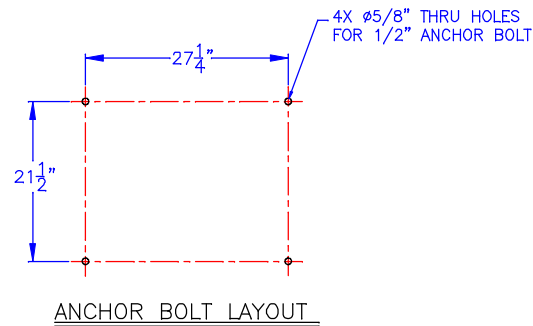
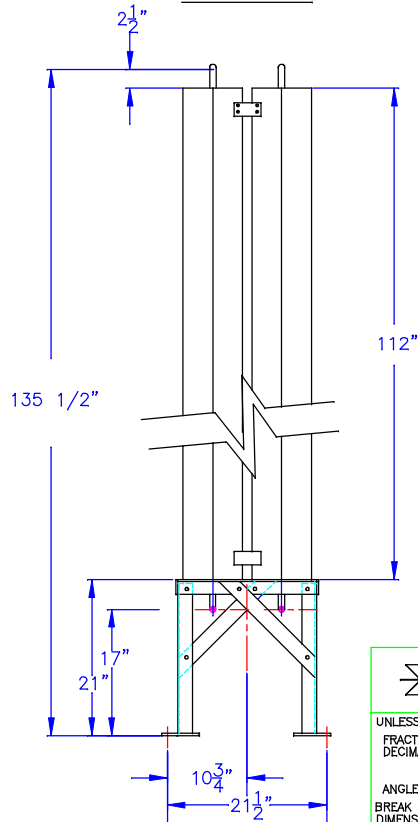


SECT. A-A

THIS DRAWING IS PROPRIETARY INFORMATION
PROPERTY OF CRYOGENIC EXPERTS, INC.
USE THIS FOR INFORMATION ONLY.
DIMENSIONS AND CONNECTION LOCATIONS
WILL CHANGE DEPENDING ON THE
APPLICATION



INLET/OUTLET CONNECTIONS



ANCHOR BOLT LAYOUT

		CRYOGENIC EXPERTS 531 Sandy Circle, El Rio, California 93036 Toll Free 1-800-FOR-CEXI OR Phone (805) 981-4500 Fax: (805) 981-4501				
		APPROVALS DESIGN: KMK CHECKED:	DATE 12/16/08	TITLE AMBIENT VAPORIZER GENERAL ARRANGEMENT		MODEL A6SS-9.3
UNLESS OTHERWISE NOTED: FRACTIONS ±1/8" DECIMALS ±.03 ANGLES ±.01 BREAK ALL SHARP EDGES DIMENSIONS ARE IN INCHES	DRG JOB No. - FILE -	MANUF: RELEASED:	SIZE B 55429	FSCM NO. 6X	DWG. NO. A6SS-9.3	REV. -
			SCALE 6X	JOB NUMBER	SHEET 1 OF 1	