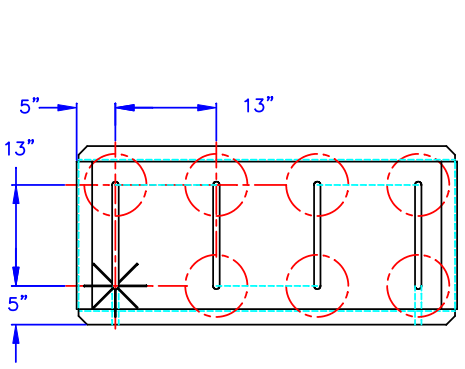
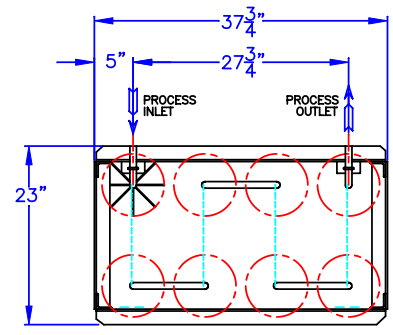


ZONE	REV LTR	DESCRIPTION	E.O.	REVISED BY	DATE	APPR
-	-	ORIGINAL ISSUE		RW	11/8/07	

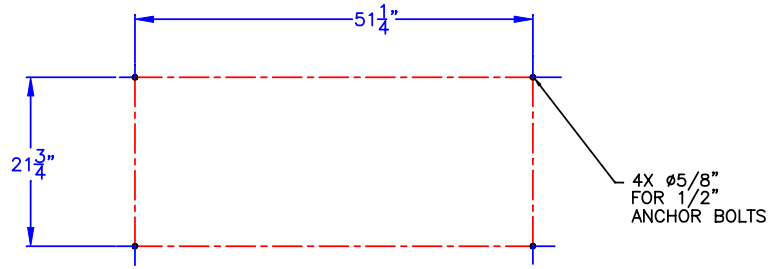


PLAN VIEW

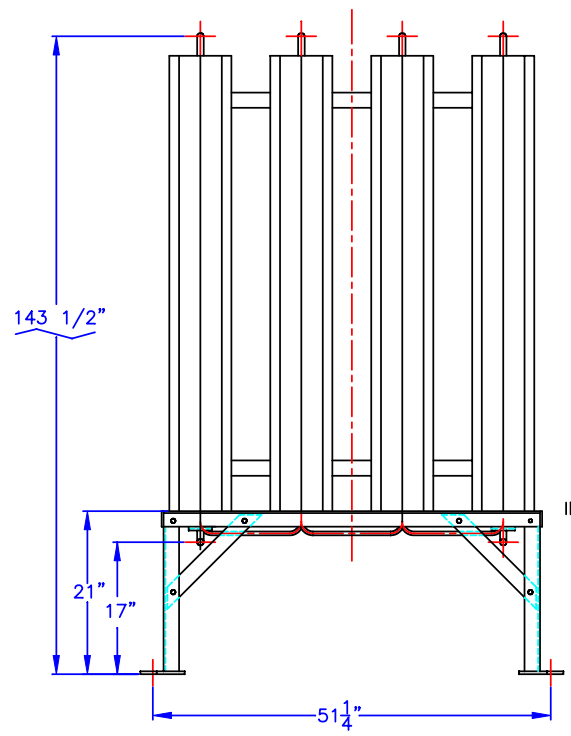


BOTTOM VIEW

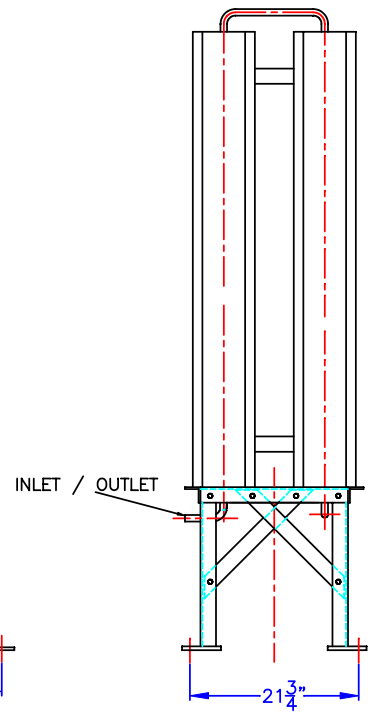
THIS DRAWING IS PROPRIETARY INFORMATION PROPERTY OF CRYOGENIC EXPERTS, INC. USE THIS FOR INFORMATION ONLY. DIMENSIONS AND CONNECTION LOCATIONS WILL CHANGE DEPENDING ON THE APPLICATION



ANCHOR BOLT LAYOUT



ELEVATION VIEW



SIDE VIEW

		<b>CRYOGENIC EXPERTS</b> 531 Sandy Circle, El Rio, California 93036 Toll Free 1-800-FOR-CEXI OR Phone (805) 981-4500 Fax. (805) 981-4501			
		UNLESS OTHERWISE NOTED: FRACTIONS ±1/8" DECIMALS X±.1 XX±.03 XXX±.01 ANGLES ±° BREAK ALL SHARP EDGES DIMENSIONS ARE IN INCHES ORG JOB No. -	APPROVALS DESIGN: KMK CHECKED: MANUF: RELEASED:	DATE 11/8/07	TITLE <b>AMBIENT VAPORIZER          GENERAL ARRANGEMENT</b>
FILE -	SCALE 6X	SIZE FSCM NO. <b>B 55429</b>	DWG. NO. <b>A8-EG</b>	REV. -	JOB NUMBER SHEET 1 OF 1