

8

7

6

5

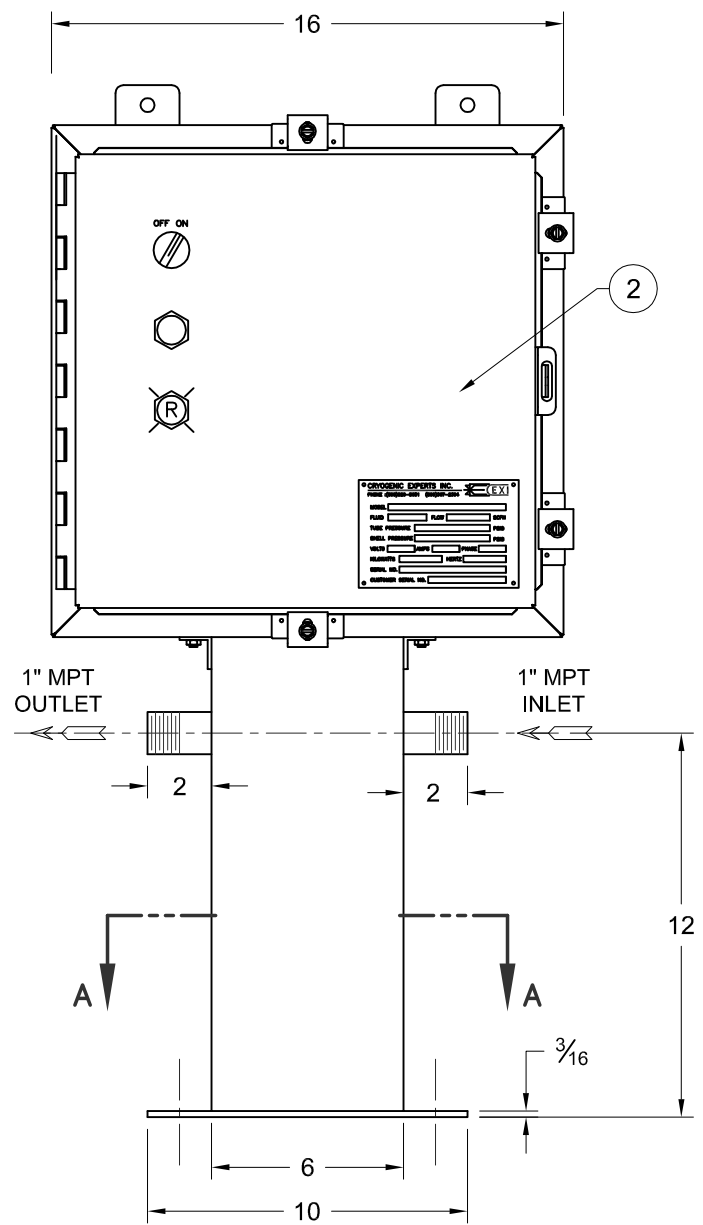
4

3

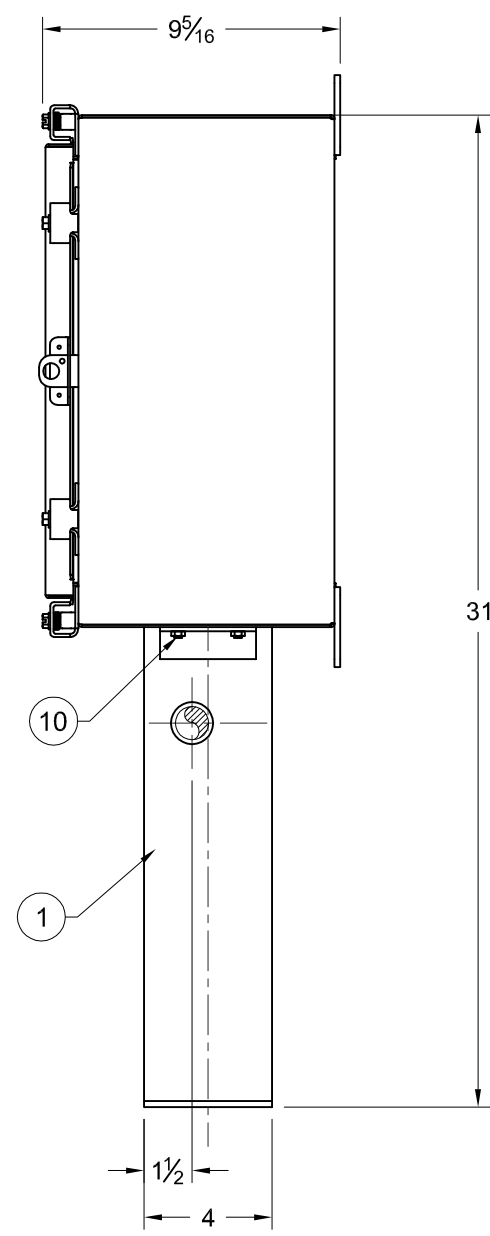
2

1

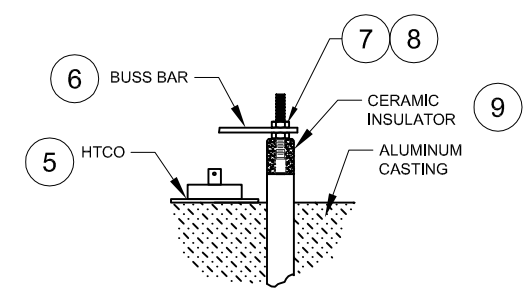
| ZONE | REV LTR | DESCRIPTION | DATE | REV BY |
|------|---------|-------------|------|--------|
| - | - | - | - | - |



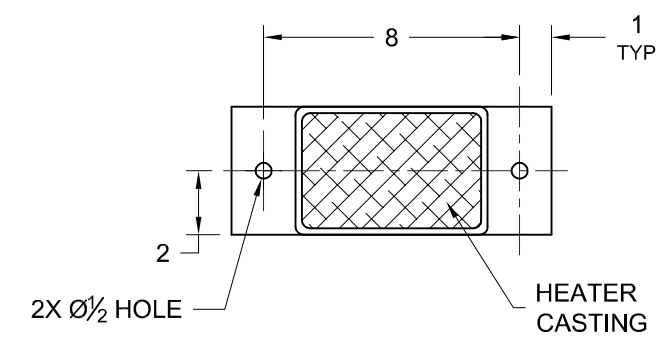
ELEVATION VIEW



SIDE ELEVATION



HEATER BUSSING



SECTION A-A

SEE SEPARATE PART LIST

ALL WELDS TO BE 1/4" THICK, OR 1X MIN. WALL THICKNESS

| ITEM | DRAWING | BILL OF MATERIAL |
|------|-------------------|-------------------|
| 1 | EH0 | EH-0B0B |
| 2 | EH-12043-000_ES | EH-12043-000 |
| | EH-12043-000_PL | EH-12043-000 |
| 5-9 | EH-0B0B-12043_BD | EH-0B0B-12043-000 |
| 10 | EH-0B0B-12043-000 | EH-0B0B-06041-000 |

PROPRIETARY AND CONFIDENTIAL
 THE INFORMATION CONTAINED IN THIS DRAWING IS THE SOLE PROPERTY OF CRYOGENIC EXPERTS, INC. ANY REPRODUCTION IN PART OR AS A WHOLE WITHOUT THE WRITTEN PERMISSION OF CRYOGENIC EXPERTS, INC. IS PROHIBITED.
 © 2017 CEXI, CRYOGENIC EXPERTS
 ALL RIGHTS RESERVED.

CRYOGENIC EXPERTS
 (805)981-4500 (800)367-2394 WWW.CEXI.COM

CEXI

| | | | |
|--|-----------|--------------------------|--|
| UNLESS OTHERWISE NOTED: FRACTIONS ±1/4" DECIMALS XX±.1 ANGLES XXX±.1° | APPROVALS | DATE | TITLE |
| BREAK ALL SHARP EDGES DIMENSIONS ARE IN INCHES | DRAWN: AA | 18-APR-2018 | ELECTRIC VAPORIZER GENERAL ASSEMBLY |
| FILENAME/NO. EH-0B0A-12043-000 | CHECKED: | ISSUED: | PART EH-0B0B-12043-000 |
| USED ON | SIM TO | SIZE FSCM NO. B 55429 | DWG. NO. EH-0B0B-12043-000 |
| | | SCALE 1:6 | REV. - |
| | | | JOB NUMBER: SHEET 1 OF 1 |

8

7

6

5

4

3

2

1