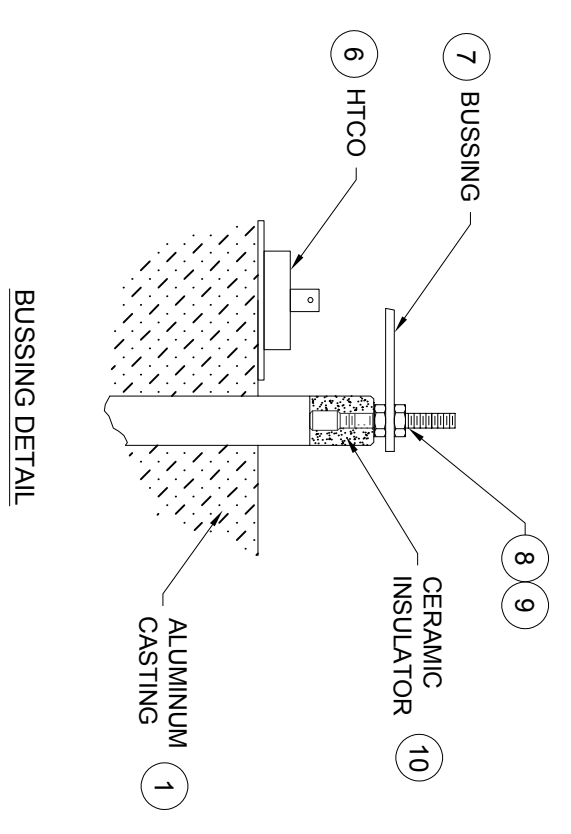
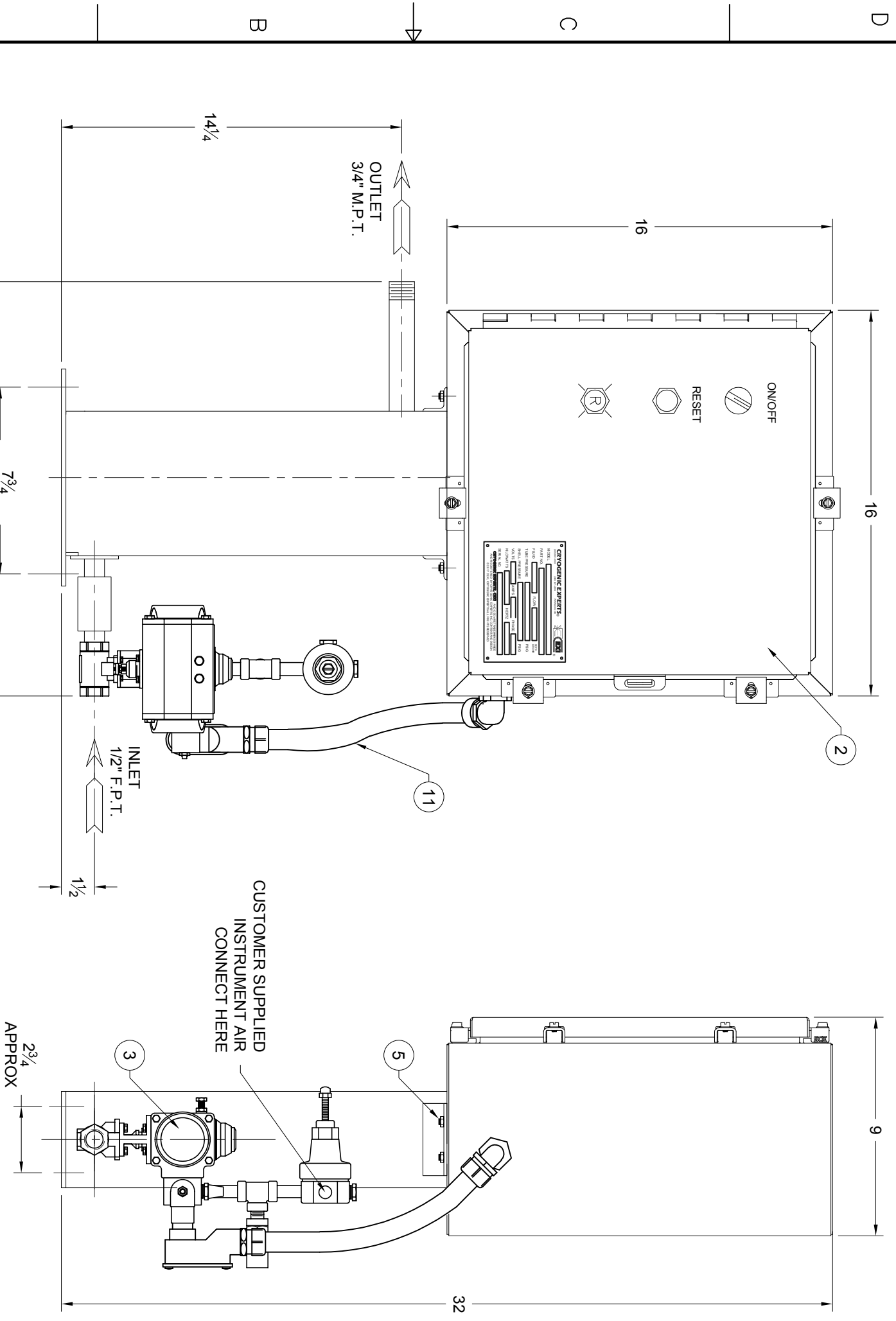


ZONE	REV	DESCRIPTION	DATE	REV
-	LTR	ADJUSTMENTS MADE TO HEATER CASTING ASSEMBLY	04-SEP-2018	AA
A				



SEE SEPARATE PART LIST

CRYOGENIC EXPERTS
 (805)981-4500
 (800)367-2394
 WWW.CEXI.COM

CRYOGENIC EXPERTS
 ELECTRIC PRESSURE BUILD UNIT
 GENERAL ASSEMBLY

UNLESS OTHERWISE NOTED:
 FRACTIONS 3/16"
 DECIMALS .XX, .1
 ANGLES XXX.X°
 BREAK ALL SHARP EDGES
 DIMENSIONS ARE IN INCHES

APPROVALS
 DRAWN: JZ
 DATE: 21-NOV-2017
 CHECKED:
 ISSUED:
 USED ON
 SIM TO

FILENAME/NO.
 EP-0B0A-12043-000

SIZE
 B 55429
 SCALE 1:5

REV. BY
 A

JOB NUMBER: 180839 SHEET 1 OF 1

PROPRIETARY AND CONFIDENTIAL
 THE INFORMATION CONTAINED IN THIS DRAWING IS THE SOLE PROPERTY OF CRYOGENIC EXPERTS, INC. ANY REPRODUCTION IN PART OR AS A WHOLE WITHOUT THE WRITTEN PERMISSION OF CRYOGENIC EXPERTS, INC. IS PROHIBITED.
 © 2017 CEM, CRYOGENIC EXPERTS
 ALL RIGHTS RESERVED