

8

7

6

5

4

3

2

1

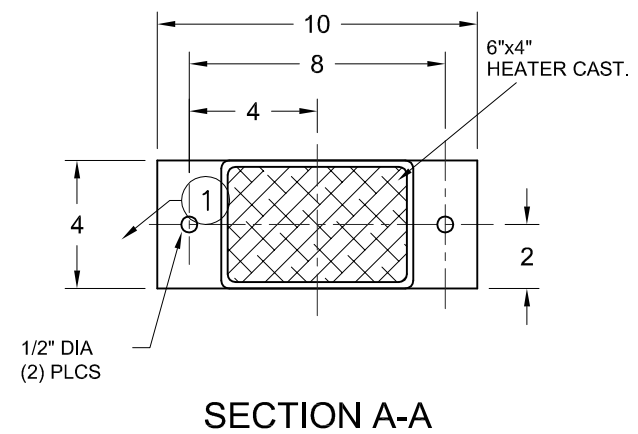
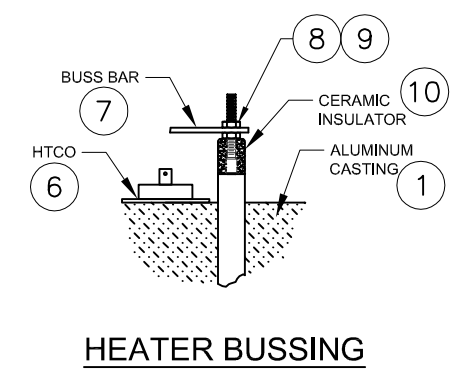
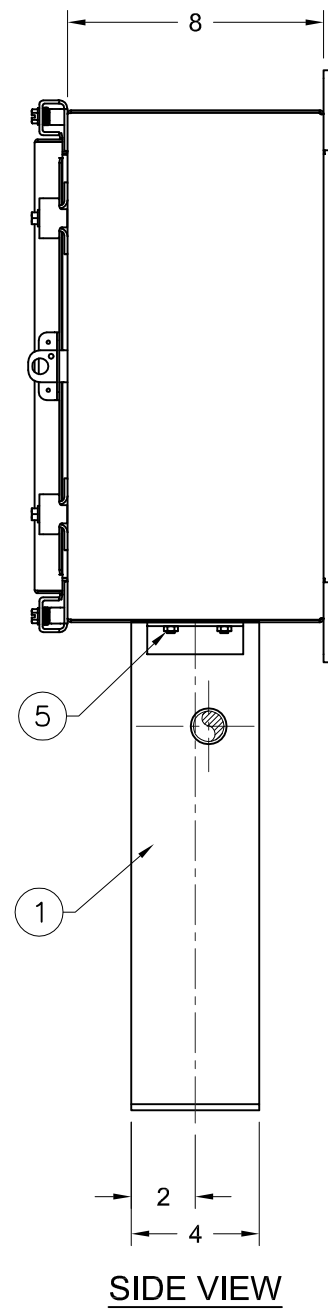
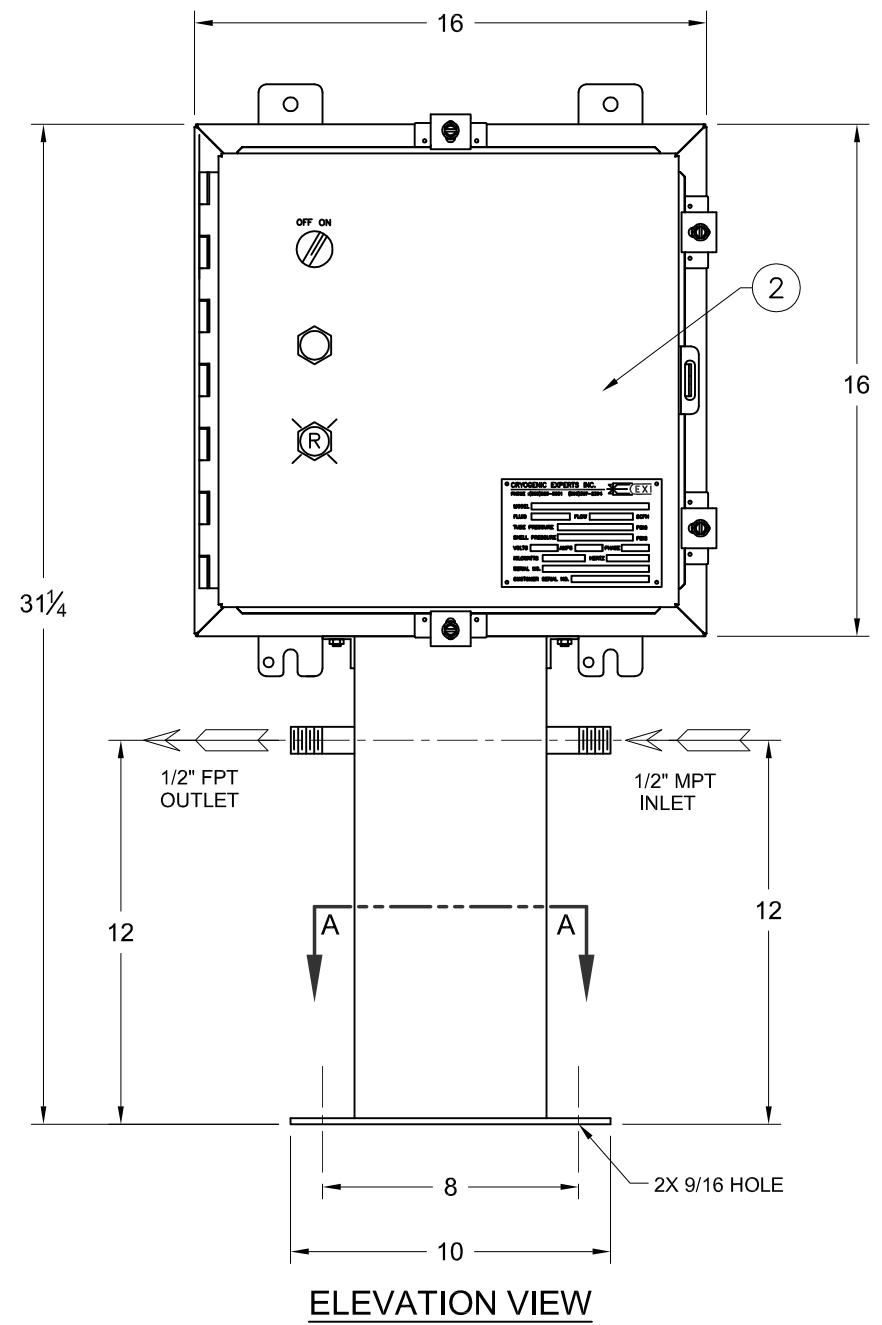
ZONE	REV LTR	DESCRIPTION	DATE	REV BY
MULTI	A	MULTIPLE CHANGES	31-MAY-2018	JZ

D

C

B

A



SEE SEPARATE PART LIST

ALL WELDS TO BE 1/4" THICK, OR 1X MIN. WALL THICKNESS

ITEM	DRAWING	BILL OF MATERIALS
1	EV0B	EV-0B0B
2	EV-12043-100 ES A	EV-12043-100
	EV-12043-100 PL A	
5-9	EV-0B0B-12043	EV-0B0B-12043-100 A

PROPRIETARY AND CONFIDENTIAL
 THE INFORMATION CONTAINED IN THIS DRAWING IS THE SOLE PROPERTY OF CRYOGENIC EXPERTS, INC. ANY REPRODUCTION IN PART OR AS A WHOLE WITHOUT THE WRITTEN PERMISSION OF CRYOGENIC EXPERTS, INC. IS PROHIBITED.
 © 2017 CEXI, CRYOGENIC EXPERTS
 ALL RIGHTS RESERVED.

CRYOGENIC EXPERTS
 (805)981-4500 (800)367-2394 WWW.CEXI.COM

CEXI

UNLESS OTHERWISE NOTED: FRACTIONS ±1/4" DECIMALS XX±.01 ANGLES XXX±.01	APPROVALS	DATE	TITLE
BREAK ALL SHARP EDGES DIMENSIONS ARE IN INCHES	DRAWN: JZ	17-NOV-2017	ELECTRIC VAPORIZER GENERAL ASSEMBLY
FILENAME/NO. EV-0B0A-12043-000	CHECKED:	ISSUED:	PART EV-0B0B-12043-000
USED ON	SIM TO	SIZE FSCM NO. B 55429	DWG. NO. EV-0B0B-12043-000
		SCALE 1:6	REV. A
		JOB NUMBER:	SHEET 1 OF 1

8

7

6

5

4

3

2

1