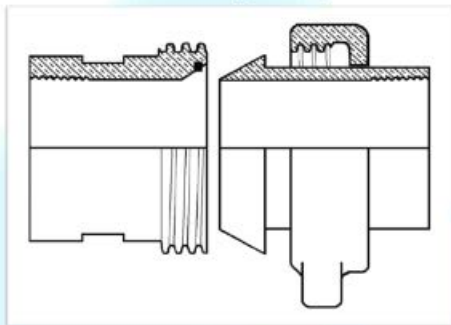


Acme Cryogenics

Liquid Natural Gas (LNG) Connection



MAWP: 450 PSIG BRASS
MAWP: 650 PSIG SS

-320 TO +150 DEG. F

450-003-30	LNG Fixed End, Brass, 3" FNPT Connection
450-003-30S	LNG Fixed End, 304 SST, 3" FNPT Connection
450-011-30	LNG Fixed End, Brass, 3" LNG x 2" FNPT
450-005-30	LNG Fixed End Assembly with Dustcap, Brass, 3" FNPT
450-000-30	LNG Nut, Cast Bronze
450-000-30S	LNG Nut, 304SST
450-004-30	Headpiece with Retaining Ring, Brass, 3" FNPT Connection
450-010-30	Reducing Headpiece with Retaining Ring, Brass, 3" x 2" FNPT
450-004-30S	Headpiece with Retaining Ring, 304SST, 3" FNPT
450-002-30	Dustcap Assembly, Brass
450-001-30	Tailplug Assembly, Brass
450-001-30S	Tailplug Assembly, 304 SST
450-007-30	Teflon Gasket- 3" LNG
A-02419	Retaining Ring, Zinc Dipped Steel Phosphate, 3" LNG
450-008-30	LNG Hose End Assembly, Brass/Bronze, 3" FNPT
450-009-30S	LNG Hose End Assembly, 304SST, 3" FNPT

Acme Cryogenics 2801 Mitchell Avenue Allentown, PA 18103

Ph: 800-422-2790

Fax: 610-791-2402

www.acmecryco.com