

8

7

6

5

4

3

2

1

ZONE	REV LTR	DESCRIPTION	DATE	REV BY
-	-	-	-	-

D

D

C

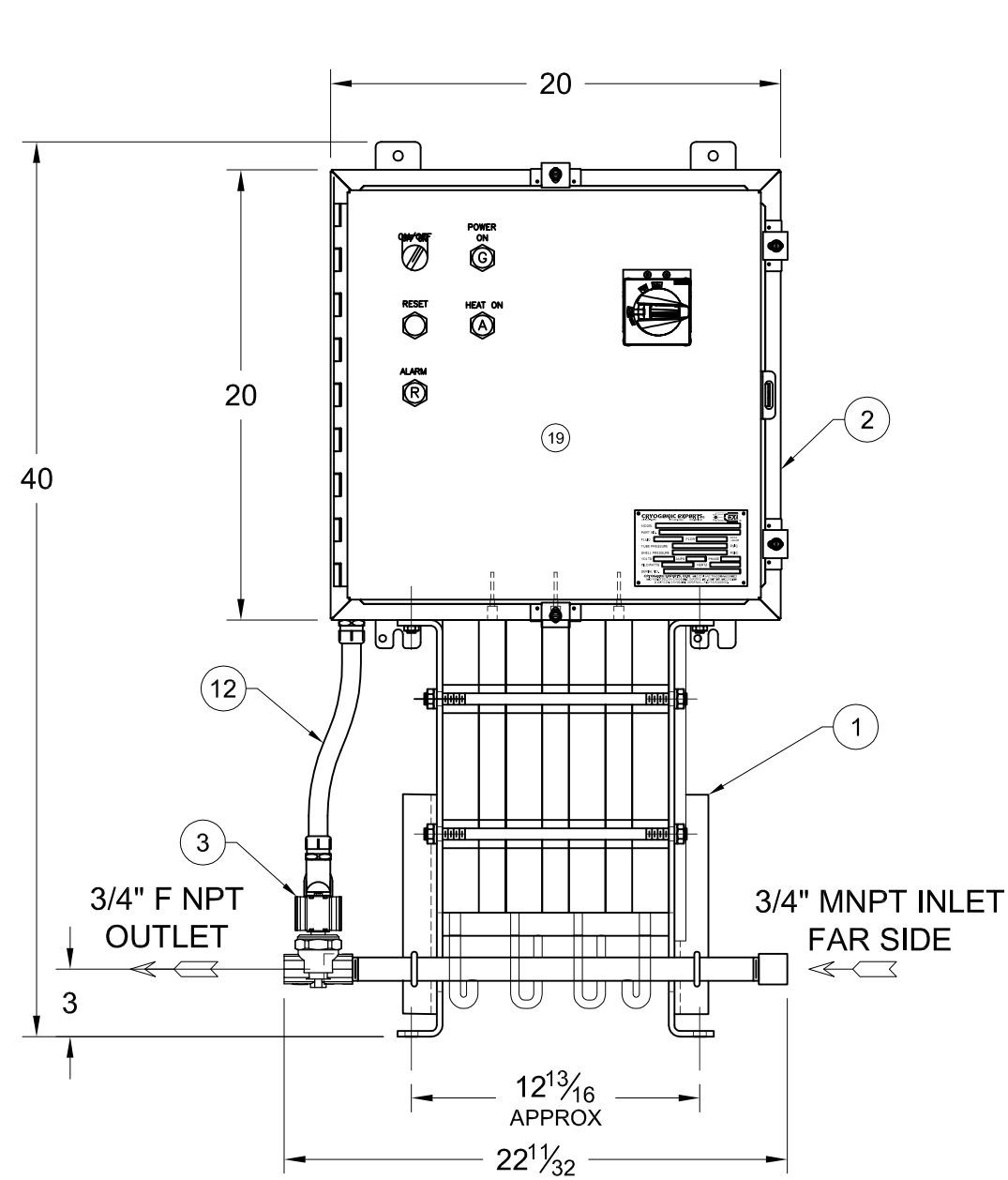
C

B

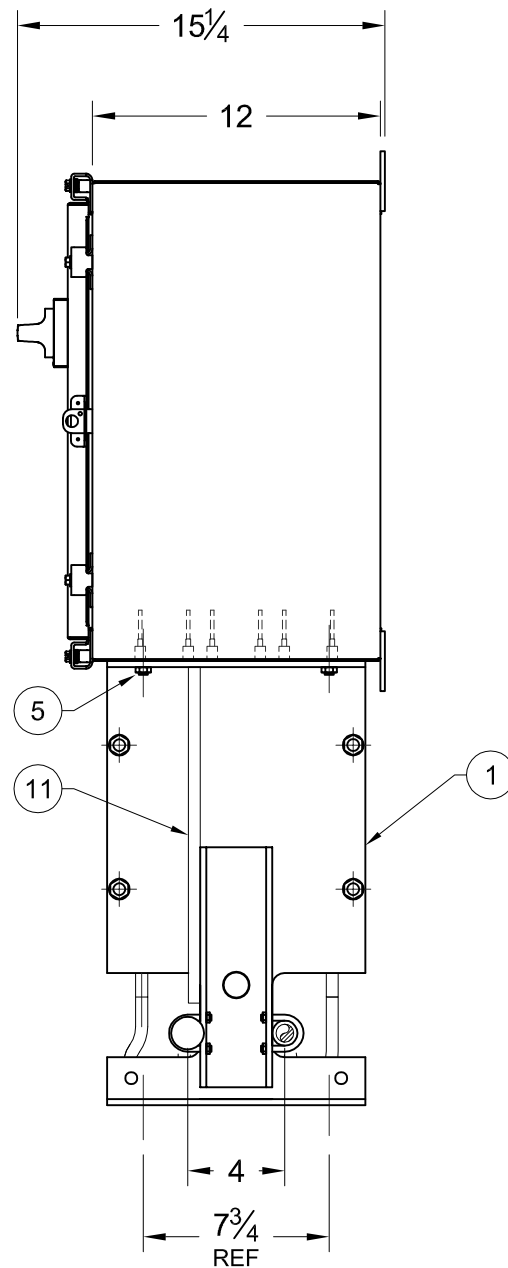
B

A

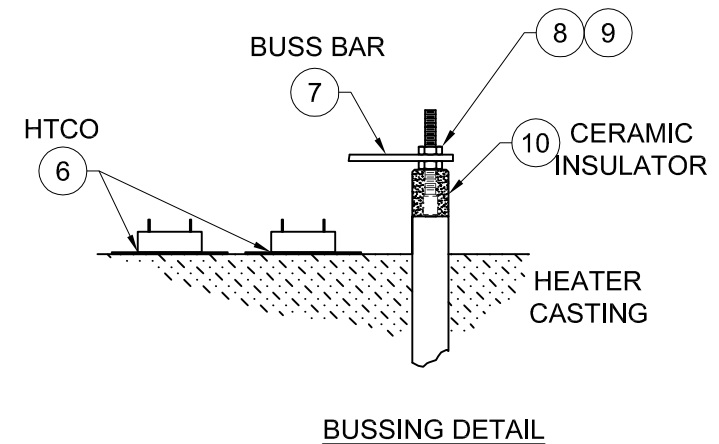
A



FRONT ELEVATION



RIGHT ELEVATION



BUSSING DETAIL

SEE SEPARATE PART LIST

CRYOGENIC EXPERTS® (805)981-4500 (800)367-2394 WWW.CEXI.COM			
UNLESS OTHERWISE NOTED: FRACTIONS ±1/4" DECIMALS XX±.1 ANGLES XXX±.01 ±.1"	APPROVALS DRAWN: JZ CHECKED: ISSUED:	DATE 21-FEB-2019	TITLE ELECTRIC VAPORIZER & SWITCHOVER SYSTEM GENERAL ASSEMBLY PART EV-3D0A-45043-100
PROPRIETARY AND CONFIDENTIAL THE INFORMATION CONTAINED IN THIS DRAWING IS THE SOLE PROPERTY OF CRYOGENIC EXPERTS, INC. ANY REPRODUCTION IN PART OR AS A WHOLE WITHOUT THE WRITTEN PERMISSION OF CRYOGENIC EXPERTS, INC. IS PROHIBITED. © 2017 CEXI, CRYOGENIC EXPERTS ALL RIGHTS RESERVED.	BREAK ALL SHARP EDGES DIMENSIONS ARE IN INCHES	FILENAME/NO. -	SIZE FSCM NO. DWG. NO. B 55429 EV-3D0A-45043-100 SCALE 1:8 JOB NUMBER: SHEET 1 OF 1