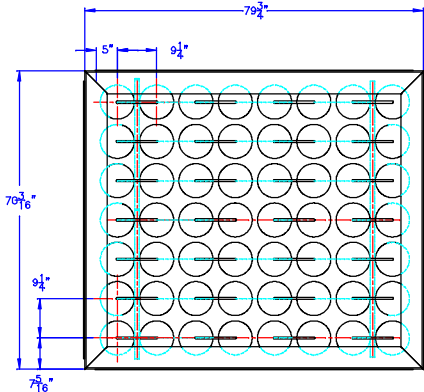
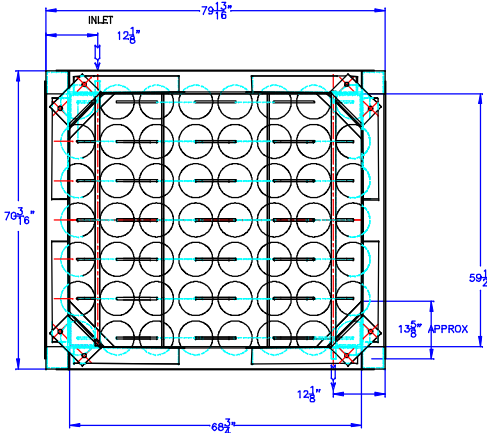


| ZONE | REV LTR | DESCRIPTION | E.O. | REVISED BY | DATE | APPR |
|------|---------|----------------|------|------------|---------|------|
| - | - | ORIGINAL ISSUE | | KMK | 1/20/09 | RW |

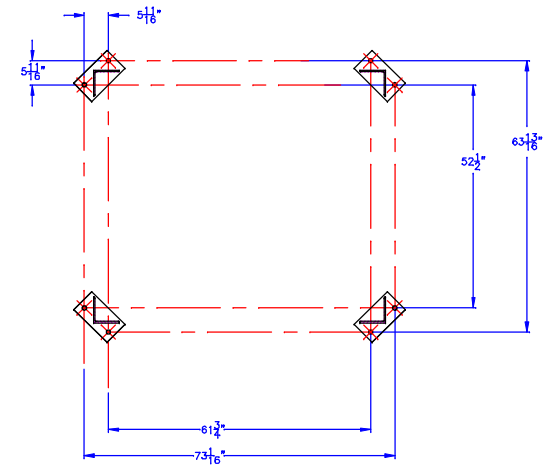


PLAN VIEW

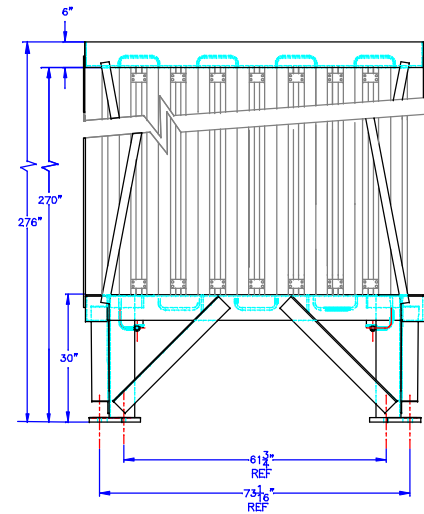


BOTTOM VIEW

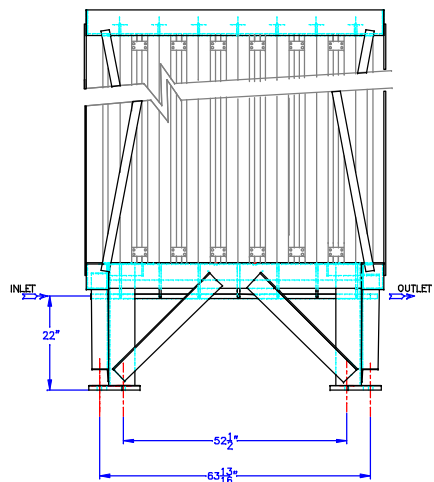
THIS DRAWING IS PROPRIETARY INFORMATION
 PROPERTY OF CRYOGENIC EXPERTS, INC.
 USE THIS FOR INFORMATION ONLY.
 DIMENSIONS AND CONNECTION LOCATIONS
 WILL CHANGE DEPENDING ON THE
 APPLICATION



ANCHOR BOLT LAYOUT



ELEVATION VIEW



SIDE VIEW

| | | | | | |
|-------------------------|---------------------|--|--------------------------------------|--------------------|---|
| | | CRYOGENIC EXPERTS 531 Sandy Circle, El Rio, California 93036 Toll Free 1-800-FOR-CEXI OR Phone (805) 981-4500 Fax: (805) 981-4501 | | | |
| | | UNLESS OTHERWISE NOTED: FRACTIONS ±1/8" DECIMALS X ± .1 XX ± .03 XXX ± .01 ANGLES ± 1° BREAK ALL SHARP EDGES DIMENSIONS ARE IN INCHES | APPROVALS DESIGN: KMK CHECKED: | DATE 1/20/09 | TITLE AMBIENT VAPORIZER GENERAL ARRANGEMENT |
| ORG JOB No. - FILE - | MANUF: RELEASED: | MODEL A56-20 | SIZE B 55429 | FSCM NO. A56-20 | DWG. NO. A56-20 |
| | | SCALE 14X | JOB NUMBER | SHEET 1 OF 1 | REV. - |