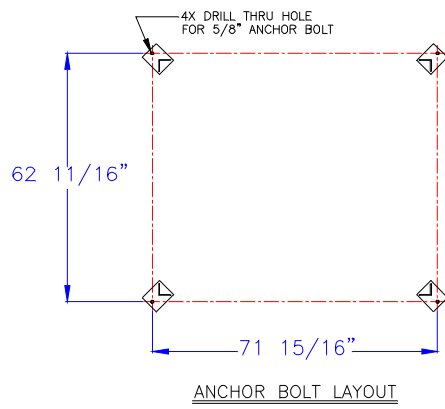
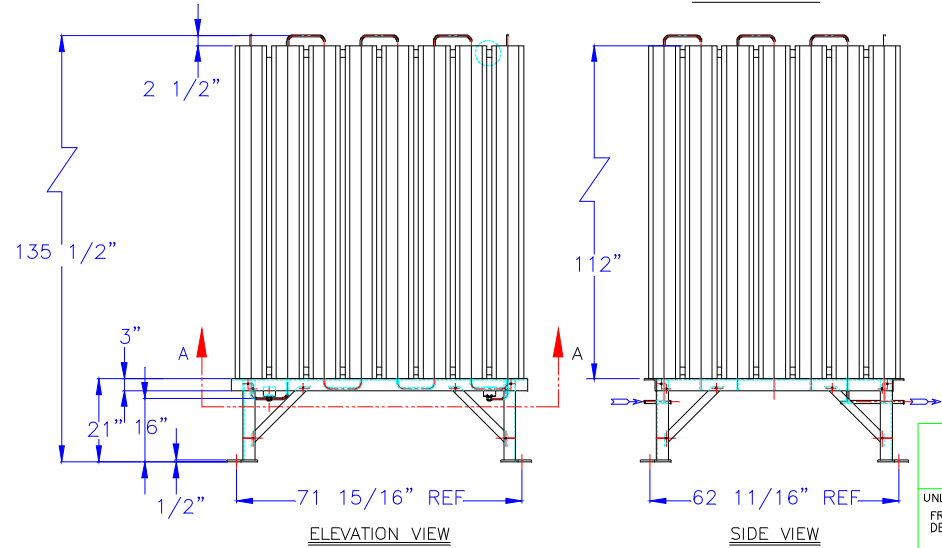
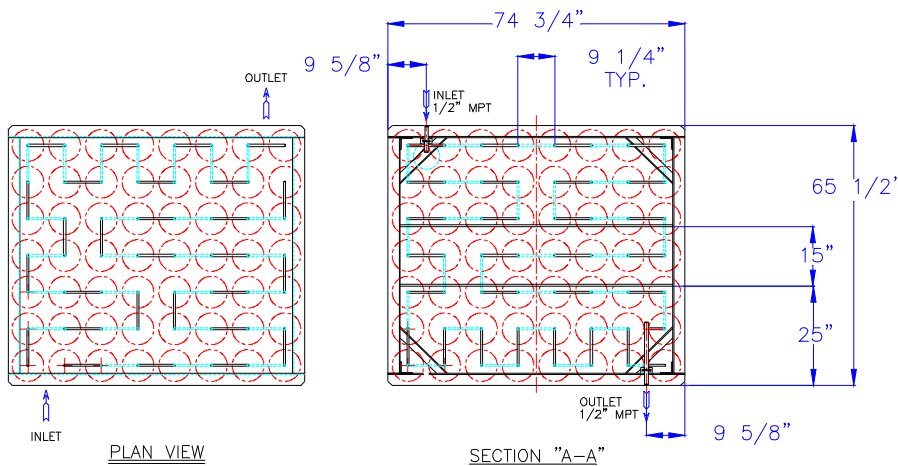


ZONE	REV LTR	DESCRIPTION	E.O.	REVISED BY	DATE	APPR
-	-	ORIGINAL ISSUE		RW	12/18/08	

THIS DRAWING IS PROPRIETARY INFORMATION PROPERTY OF CRYOGENIC EXPERTS, INC. USE THIS FOR INFORMATION ONLY. DIMENSIONS AND CONNECTION LOCATIONS WILL CHANGE DEPENDING ON THE APPLICATION



		CRYOGENIC EXPERTS 531 Sandy Circle, El Rio, California 93036 Toll Free 1-800-FOR-CEXI OR Phone (805) 981-4500 Fax: (805) 981-4501			
		APPROVALS DESIGN: KMK CHECKED:	DATE 12/18/08	TITLE AMBIENT VAPORIZER GENERAL ARRANGEMENT	
UNLESS OTHERWISE NOTED: FRACTIONS ±1/8" DECIMALS X±.1 XX±.03 XXX±.01 ANGLES ± 1° BREAK ALL SHARP EDGES DIMENSIONS ARE IN INCHES		MODEL A56SS-9.3		SIZE B 55429	DWG. NO. A56SS-9.3
DRG JOB No. -	MANUF: -	SCALE 15X	JOB NUMBER	SHEET 1 OF 1	
FILE -	RELEASED:				